



Agilent Technologies

ADS 2008

January 2008

Antennas and Propagation Components

Advanced Design System 2008

© Agilent Technologies, Inc. 2000-2008

395 Page Mill Road, Palo Alto, CA 94304 U.S.A.

No part of this manual may be reproduced in any form or by any means (including electronic storage and retrieval or translation into a foreign language) without prior agreement and written consent from Agilent Technologies, Inc. as governed by United States and international copyright laws.

Acknowledgments

Mentor Graphics is a trademark of Mentor Graphics Corporation in the U.S. and other countries. Microsoft®, Windows®, MS Windows®, Windows NT®, and MS-DOS® are U.S. registered trademarks of Microsoft Corporation. Pentium® is a U.S. registered trademark of Intel Corporation. PostScript® and Acrobat® are trademarks of Adobe Systems Incorporated. UNIX® is a registered trademark of the Open Group. Java™ is a U.S. trademark of Sun Microsystems, Inc. SystemC® is a registered trademark of Open SystemC Initiative, Inc. in the United States and other countries and is used with permission. MATLAB® is a U.S. registered trademark of The Math Works, Inc.. HiSIM2 source code, and all copyrights, trade secrets or other intellectual property rights in and to the source code in its entirety, is owned by Hiroshima University and STARC.

Errata The ADS product may contain references to "HP" or "HPEESOF" such as in file names and directory names. The business entity formerly known as "HP EEsof" is now part of Agilent Technologies and is known as "Agilent EEsof". To avoid broken functionality and to maintain backward compatibility for our customers, we did not change all the names and labels that contain "HP" or "HPEESOF" references.

Warranty The material contained in this document is provided "as is", and is subject to being changed, without notice, in future editions. Further, to the maximum extent permitted by applicable law, Agilent disclaims all warranties, either express or implied, with regard to this manual and any information contained herein, including but not limited to the implied warranties of merchantability and fitness for a particular purpose. Agilent shall not be liable for errors or for incidental or consequential damages in connection with the furnishing, use, or performance of this document or of any information contained herein. Should Agilent and the user have a separate written agreement with warranty terms covering the material in this document that conflict with these terms, the warranty terms in the separate agreement shall control.

Technology Licenses The hardware and/or software described in this document are furnished under a license and may be used or copied only in accordance with the terms of such license. Portions of this product include the SystemC software licensed under Open Source terms, which are available for download at <http://systemc.org/>. This software is redistributed by Agilent. The Contributors of the SystemC software provide this software "as is" and offer no warranty of any kind, express or implied, including without limitation warranties or conditions or title and non-infringement, and implied warranties or conditions merchantability and fitness for a particular purpose. Contributors shall not be liable for any damages of any kind including without limitation direct, indirect, special, incidental and consequential damages, such as lost profits. Any provisions that differ from this disclaimer are offered by Agilent only.

Restricted Rights Legend If software is for use in the performance of a U.S. Government prime contract or subcontract, Software is delivered and licensed as "Commercial computer software" as defined in DFAR 252.227-7014 (June 1995), or as a "commercial item" as defined in FAR 2.101(a) or as "Restricted computer software" as defined in FAR 52.227-19 (June 1987) or any equivalent agency regulation or contract clause. Use, duplication or disclosure of Software is subject to Agilent Technologies' standard commercial license terms, and non-DOD Departments and Agencies of the U.S. Government will receive no greater than Restricted Rights as defined in FAR 52.227-19(c)(1-2) (June 1987). U.S. Government users will receive no greater than Limited Rights as defined in FAR 52.227-14 (June 1987) or DFAR 252.227-7015 (b)(2) (November 1995), as applicable in any technical data.

Contents

- About Antennas and Propagation Components
 - ◦ - GSM Channel
 - Two TDMA Channels
 - AWGN Noise Source
 - Tx Antenna Output
 - Disallowed Topologies
 - Multipath and Fading
 - - Tapped-Delay Line Model for a Wide-Band Channel
 - Generation of Rayleigh pdf with a Given PSD
 - Pathloss
 - References
 - 3GPPFDD_Channel
 - - Parameters
 - Pin Inputs
 - Pin Outputs
 - Notes/Equations
 - - 3GPPFDD_Channel Schematic
 - Channel Profile Configurations
 - References
 - AntArray
 - - Parameters
 - Pin Inputs
 - Pin Outputs
 - Notes/Equations
 - - AntArray Geometry and Received Multipath Wavefront
 - AntBase
 - - Parameters
 - Pin Inputs
 - Pin Outputs
 - Notes/Equations
 - AntMobile
 - - Parameters
 - Pin Inputs
 - Pin outputs
 - Notes/Equations
 - Fader
 - - Parameters
 - Pin Inputs
 - Pin Outputs
 - Notes/Equations
 - References
 - PropFlatEarth
 - - Parameters
 - Pin Inputs
 - Pin Outputs
 - Notes/Equations

Advanced Design System 2008

- - Received Power as a Function of Antenna Separation Using FlatEarth Channel
- References
- PropGSM
 - - Parameters
 - Pin Inputs
 - Pin Outputs
 - Notes/Equations
 - - Hilly Terrain 6-Tap Types
 - - Hilly Terrain 12-Tap Types
 - - Urban Area 6-Tap Types
 - - Urban Area 12-Tap Types
 - - EqualizationTest Types
 - - Rural Types
 - - Typical Average Delay Profile of GSM
 - - Typical Fading Envelope of PropGSM
 - - Typical Doppler Spectrum of PropGSM
- PropNADcdma
 - - Parameters
 - Pin Inputs
 - Pin Outputs
 - Notes/Equations
 - - Average Delay Profiles of CDMA Propagation Channels
 - - Typical pdf of Signal Envelope
 - - Typical cpdf of Signal Envelope
- PropNADcdma
 - - Parameters
 - Pin Inputs
 - Pin Outputs
 - Notes/Equations
 - - Typical Envelope and Envelope Square Spectrum of PropNADcdma
 - - Pathloss Profiles for Different Environments
- PropWCDMA
 - - Parameters
 - Pin Inputs
 - Pin Outputs
 - Notes/Equations
 - - Indoor Office Test Environment Tapped-Delay-Line Parameters
 - - Outdoor to Indoor and Pedestrian Test Environment Tapped-Delay-Line Parameters
 - - Vehicular Test Environment, High Antenna, Tapped-Delay-Line Parameters
 - References
- TDSCDMA_FwdChannel
 - - Parameters
 - Pin Inputs
 - Pin Outputs
 - Notes/Equations
 - - TDSCDMA_FwdChannel Schematic
 - Reference
- TDSCDMA_RevChannel
 - - Parameters
 - Pin Inputs

- Pin Outputs
- Notes/Equations
 - Schematic of TDSCDMA_RevChannel
- References
- UserDefChannel
 - - Parameters
 - Pin Inputs
 - Pin Outputs
 - Notes/Equations
 - Delay and Doppler Spread and Carrier Phase Shift
 - References
- UserDefVectorChannel
 - - Parameters
 - Pin Inputs
 - Pin Outputs
 - Notes/Equations
 - User-Defined Vector Channel Model when Connected to an Array Antenna
- UWB_Channel
 - - Parameters
 - Pin Inputs
 - Pin Outputs
 - Notes/Equations
 - UWB_Channel Schematic
 - References
- WCDMAVector Channel
 - - Parameters
 - Pin Inputs
 - Pin Outputs
 - Notes/Equations
 - WCDMA Vector Channel Model when Connected to an Array Antenna
- WLAN_ChannelModel
 - - Parameters
 - Pin Inputs
 - Pin Outputs
 - Notes/Equations
 - Delay and Doppler Spread and Carrier Phase Shift
 - Noise Filter Model Implementation
 - Model A: Typical Office Environment with NLOS Conditions and 50ns Average rms Delay Spread
 - Model B: Typical Large Open-Space and Office Environments with NLOS Conditions and 100ns Average rms Delay Spread
 - Model C: Typical Large Open Space Environment with NLOS Conditions and 150ns Average rms Delay Spread
 - Model D: Typical Large Open Space Environment with LOS Conditions and 150ns Average rms Delay Spread; a 10 dB spike at zero delay has been added resulting in an rms delay spread of approximately 140 ns
 - Model E: Typical Large Open Space Environment with NLOS Conditions and 250ns Average rms Delay Spread
 - Pathloss Profiles for Different Environments
 - References

About Antennas and Propagation Components

Antenna and propagation models simulate radio channel effects on the transmitted signal. These effects include signal fading and pathloss. Both antenna and propagation channel models are TSDF components with input and output timed signals.

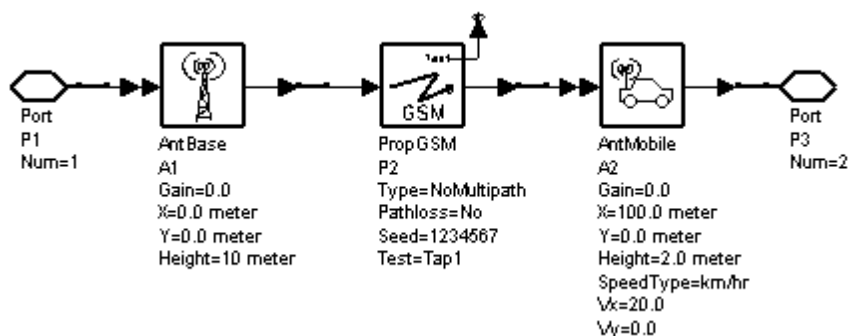
Antenna models are identified by their coordinate and gain. For mobile antennas, the velocity vector is also included in the parameters. Multiple antenna inputs provide flexibility for adding contributions from various noise or fading channels. The propagation channel models are typically identified by the type of fading, the specification of power delay profile, and whether pathloss is to be activated.

The input as well as output impedance of antennas and channel models are left as infinite and zero, respectively. For the inclusion of antenna impedance, cosimulation with Circuit Envelope is recommended (for details, refer to the [Circuit Cosimulation Components](#) documentation). In this application, S-parameter block representing measurement (file), functions or impedance components can be placed on the circuit schematic page and co-simulated with signal processing designs. To access an example that demonstrates this, from the ADS Main window, choose File > Example Project > Antennas-Prop > RadioChannel_prj; from the Schematic window, choose File > Open Design, ANTLOAD.dsn.

The separate specification of antennas and (propagation) channel components is to provide a more intuitive and flexible use model. During the simulation, the effects of both antenna and channel models are merged and the combined antenna and propagation channel components are replaced with equivalent models in the pre-processing phase of the simulation.

Because of interdependency of antennas and channel models, certain restrictions in topology must be considered by the designer: there should be at least one propagation channel between a pair of transmit and receive antennas. Examples of common antenna and propagation channel connections are shown in [GSM Channel](#) through [Tx Antenna Output](#).

[GSM Channel](#) depicts the most common use model where a channel (PropGSM) is placed between a base station (AntBase) and mobile (AntMobile) antennas. Note that the channel test port can be left unconnected. This port is supplied only if the designer is interested in the behavior of the channel models.



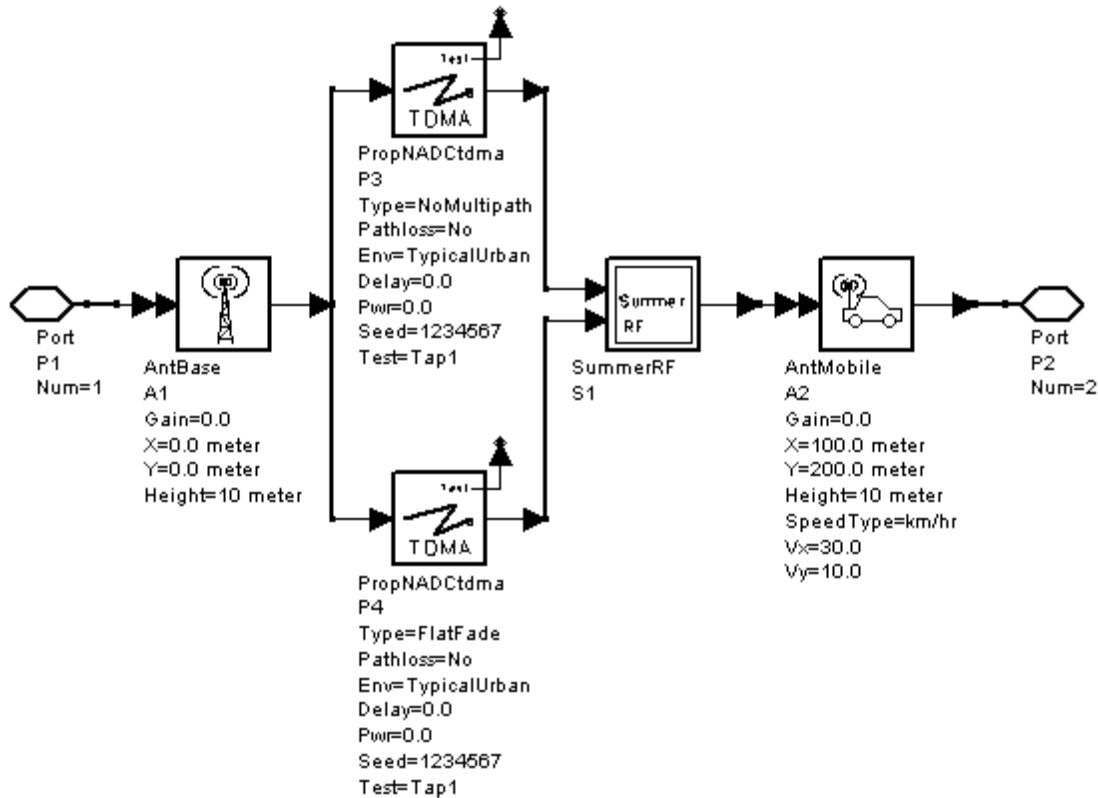
[Two TDMA Channels](#) shows a topology where two channels (PropNADCTdma) are placed in parallel between a base and mobile antennas. One of these channels could model a line-of-sight scenario (NoMultipath option) while the other one models a flat fading channel. The combined effect of these two channel types are simulated in this case. Antennas (AntMobile and AntBase) require a single carrier frequency for multiple input ports. If the channel outputs have different carrier frequencies, an RF converter (SummerRF) can be used as shown in this case. Note that any number of parallel channels between two antennas are allowed.

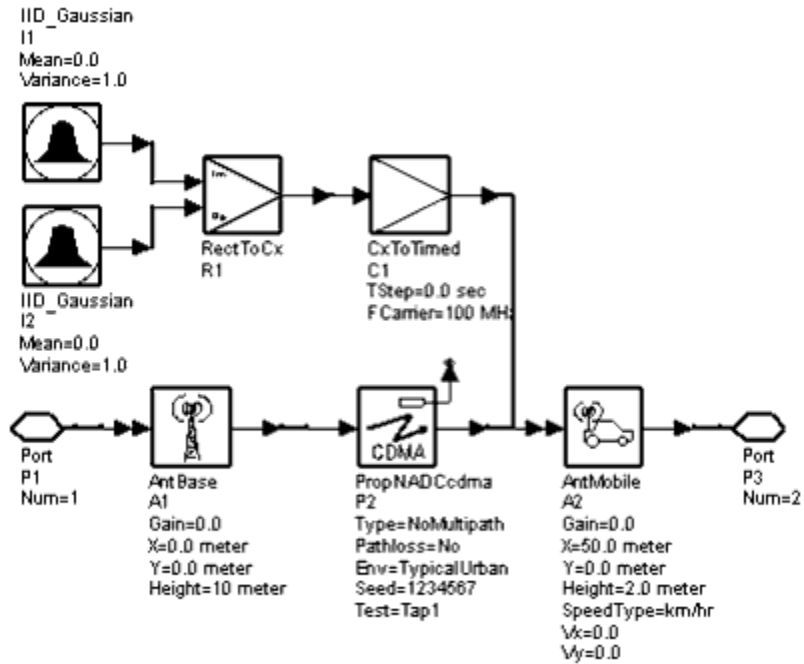
[AWGN Noise Source](#) is a topology where a AWGN noise source is added to the input of the Rx antenna in addition to the fading channel (PropNADCCdma). The designer can create and add any arbitrary channel between a pair of antennas.

[Tx Antenna Output](#) shows a Tx antenna output entering two channels, each connected to an Rx antenna. This topology is used for simulation of antenna diversity or interference.

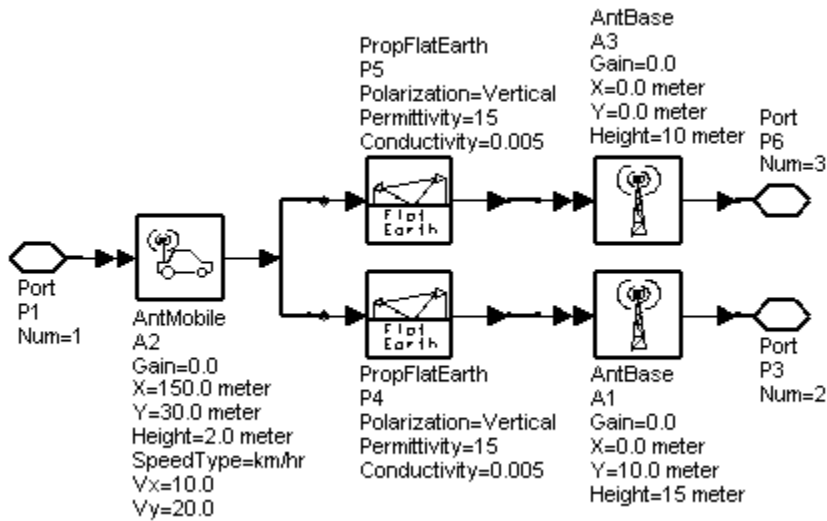
[Disallowed Topologies](#) depicts the topologies that are not allowed; these include:

- channel model without Tx or Rx antenna
- channel model without Tx and Rx antenna
- channel model with more than one distinguishable Rx (or Tx) antenna.

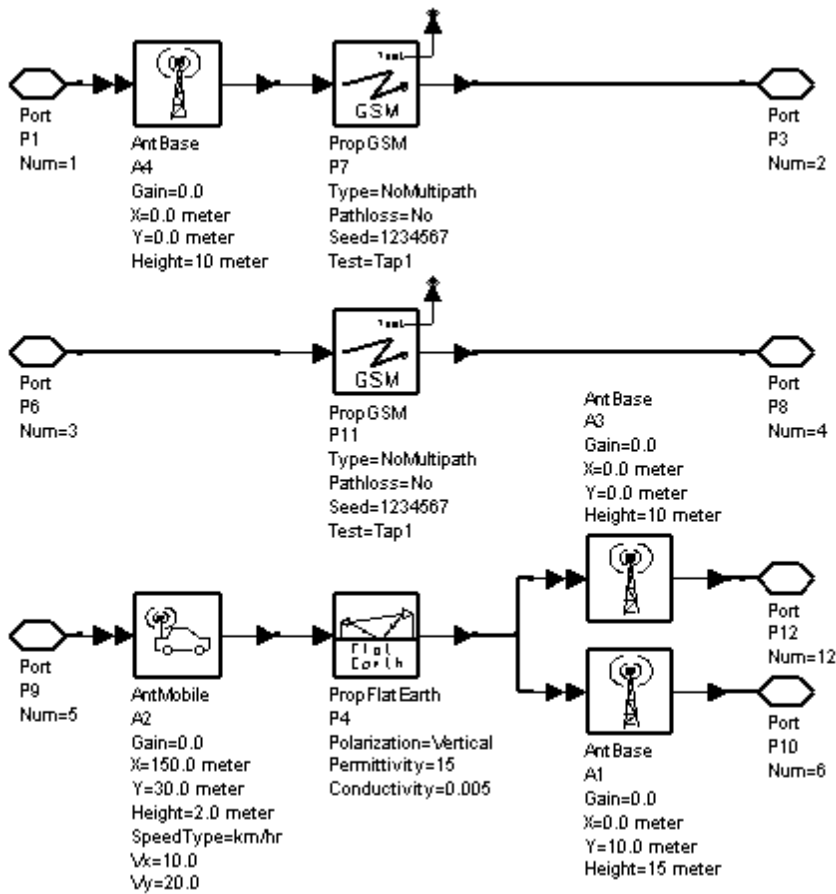




AWGN Noise Source



Tx Antenna Output



Disallowed Topologies

Multipath and Fading

This section defines terms and relations relevant to the multipath and fading in the propagation model types.

Definitions:

V = vehicle speed, in m/s

F_c = propagation (carrier) frequency, in Hz

ω_c = propagation (carrier) frequency, in radian/sec

n = Doppler frequency, in Hz

n_m = maximum Doppler frequency, in Hz

$S(t)$ = transmitted (RF) signal

$s(t)$ = complex envelope of transmitted signal

$R(t)$ = received (RF) signal

$r(t)$ = complex envelope of received signal

α_n = random amplitude of n th signal echo

γ_n = phase retardation of n th signal echo

τ_n = time-delay of n th signal echo

$G_t(\theta, \phi)$ = directive gain of transmitting antenna as a function of elevation and azimuth angles

$G_r(\theta, \phi)$ = directive gain of receiving antenna as a function of elevation and azimuth angles

Radio waves are received not only via direct path but often by scattering off numerous objects. Delay, attenuation and carrier phase shift are some of the alterations the transmitted signal experiences. This process can be modeled as a linear filter with randomly time-varying impulse response.

In a multipath environment, a transmitted RF signal

$$S(t) = \Re \left\{ s(t) e^{j\omega_c t} \right\}$$

is received in the form

$$R(t) = \Re \left\{ \sum_n \sqrt{G_t(\theta_n, \phi_n) G_r(\theta_n, \phi_n)} \alpha_n(t) s(t - \tau_n) e^{j[\omega_c(t - \tau_n) - \gamma_n]} \right\}$$

where n is the number of different echoes, each having a delay.

The received complex envelope is therefore

$$r(t) = \sum_n \sqrt{G_t(\theta_n, \phi_n) G_r(\theta_n, \phi_n)} \alpha_n(t) s(t - \tau_n) e^{-j[\omega_c \tau_n + \gamma_n]}$$

The (lowpass) impulse response of the discrete channel $h(\tau, t)$, is therefore characterized by several discrete paths—each having a specific delay and attenuation.

Signal fading occurs due to destructive or constructive addition of a large number of phasors. If $h(\tau, t)$ is modeled as a zero mean Gaussian process, the envelope $|h(\tau, t)|$ at any time is Rayleigh-distributed. The transform of $h(\tau, \tau)$ with respect to time, gives the spectrum of time variation $S(\tau, \nu)$, generally referred to as delay-Doppler spread function [1]. The variable ν represents the Doppler frequency shift due to changes in the electrical path length as a result of mobile movement.

For two vertically polarized transmit and receive antennas and horizontal propagation of plane waves [2], the Doppler spectrum is

$$S(\nu) = \frac{1}{2\pi v_m \sqrt{1 - \left(\frac{\nu}{v_m}\right)^2}} \quad \nu \leq |v_m|$$

$$= 0 \quad \nu > v_m$$

where

$$v_m = \frac{V}{c} f_c$$

is the maximum Doppler shift due to vehicle speed. When a direct path exists the spectrum is Rician and is given by

$$S(v) = \frac{k_1}{2\pi v_m \sqrt{1 - \left(\frac{v}{v_m}\right)^2}} + k_2 \delta(v - k_3 v_m) \quad v \leq |v_m|$$

with k_1 , k_2 , k_3 constants related to proportion of direct and scattered signal and the direct wave angle of arrival. Assuming the wide sense stationary uncorrelated scattering (WSSUS) [3], the average delay profiles and Doppler spectra information is needed for the simulation of radio channel. Delay profiles [4] $P(\tau)$ can be measured (or approximated) as

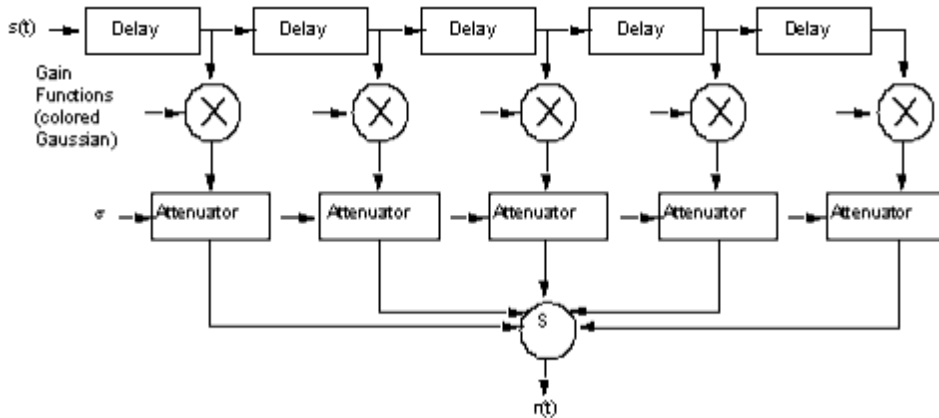
$$P(\tau) = \sum_n \sigma_n^2 \delta(\tau - \tau_n)$$

where

$$\sigma_n^2$$

is the power associated with each path.

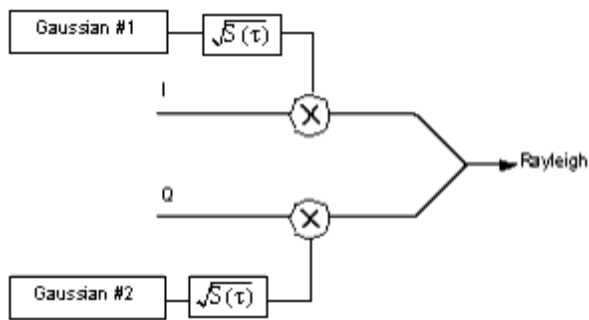
Assuming a uniform distribution of independent scatterers in the horizontal plane, each with a Doppler shift relative to the velocity of the mobile, the delay-Doppler spread function $S(\tau, n)$ and the impulse response of the channel can be constructed. A wide-band, frequency selective, multipath fading model can therefore be constructed using a tapped-delay-line filter. The typical tapped-delay-line filter model for simulation is illustrated in [Tapped-Delay Line Model for a Wide-Band Channel](#).



Tapped-Delay Line Model for a Wide-Band Channel

To generate a Rayleigh fading profile for each path, independent AWGN sources (in cascade with a filter representing the effects of Doppler spread) can be used; see [Generation of Rayleigh pdf with a Given PSD](#).

Jakes [5] proposes a more efficient alternative to [Generation of Rayleigh pdf with a Given PSD](#). In Jakes' model a number of low-frequency oscillators are used to generate signals that are added together. The amplitude and phases of these oscillators are chosen so that the pdf of the resultant phase approximates to a uniform distribution. The spectrum of the resulting complex function approximates the Doppler spectrum.



Generation of Rayleigh pdf with a Given PSD

Pathloss

This section defines terms and relations relevant to the pathloss in the propagation model types.

Definitions:

L FS = pathloss in free-space environment, in dB

L RA = pathloss in rural area environment, in dB

L HT = pathloss in hilly terrain environment, in dB

L TU = pathloss in typical urban environment, in dB

L TS = pathloss in typical suburban environment, in dB

f c = propagation (carrier) frequency, in MHz

l c = wavelength associated with propagation (carrier) frequency

D = major antenna dimension

H BS = base station antenna height, in meters

H MS = mobile station antenna height, in meters

R = distance between transmit and receive antenna, in km

a = correction factor, in dB

Free-space pathloss option provides the designer with an optimistic model. This option is given (in dB) by

$$L_{FS} = + 20 \log_{10} f_c + 20 \log_{10} R + 32.4$$

There are a wide variety of pathloss models-the most widely used is Hata's. Hata's pathloss model [6] is based on an extensive data base derived by Okumura [7] from measurements in and around Tokyo. Hata's pathloss models cover urban, rural, and suburban environments and include the transmit and receive antenna heights.

The typical urban Hata model is given by

$$L_{TU} = 69.55 + 26.16 \log_{10} f_c - 13.82 \log_{10} H_{BS} - a(H_{MS}) + (44.9 - 6.55 \log_{10} H_{BS}) \log_{10} R$$

The correction factor for small- to medium-size cities is given by

$$a = (1.1 \log_{10} f_c - 0.7) H_{MS} - (1.56 \log_{10} f_c - 0.8)$$

Hata's urban model is equivalent to Type= TU in propagation components.

The typical suburban Hata model is given in terms of L TU with a correction factor:

$$L_{TS} = L_{TU} - 2[\log_{10}(f_c/28)]^2 - 5.4$$

Similarly, the rural Hata model is a corrected form of L TU as

$$L_{RA} = L_{TU} - 4.78(\log_{10} f_c)^2 + 18.33 \log_{10} f_c - 40.94$$

Hata's rural model is equivalent to Type = RA in propagation components.

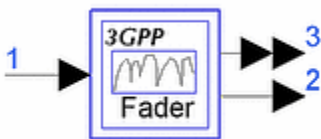
For GSM Hilly Terrain (HT) environment, adjustments prescribed in Reference [5](#) & linkCreation=true&fromPageId=0" class="createlink" linktype="raw" linktext="Reference [5](#)">Reference [5](#) are used.

All pathloss formulas are valid assuming that the receiving antenna is in the far field of the transmit antenna. The common criterion for antennas whose physical size is in the order of wavelength is that path length should exceed $D^2 / \lambda c$.

References

1. J. D. Parsons, The Mobile Radio Propagation Channel, Halsted Press, 1992.
2. R. H. Clarke, "A Statistical Theory of Mobile-Radio Reception," The Bell System Technical Journal, July-August 1968.
3. R. Steele, Mobile Radio Communications, Pentech Press, 1992.
4. GSM 05.05 Recommendation, Radio Transmission and Reception .
5. W. C. Jakes (Editor), Microwave Mobile Communications, John Wiley & Sons, 1974.
6. M. Hata, "Empirical Formula for Propagation Loss in Land Mobile Radio," IEEE Trans. VT-29, pp. 317-325, August 1980.
7. Y. Okumura, "Field Strength and its Variability in VHF and UHF Land Mobile Service," Review of Electrical Communication Laboratory, Vol 16, pp. 825-873, Sep-Oct. 1968.
8. Y. Okumura, "Field Strength and its Variability in VHF and UHF Land Mobile Service," Review of Electrical Communication Laboratory , Vol 16, pp. 825-873, Sep-Oct. 1968.

3GPPFDD_Channel



Description Fading channel model
Library Antennas & Propagation
Class TSDF3GPPFDD_Channel

Parameters

Advanced Design System 2008

Name	Description	Default	Unit	Type	Range
SpecVersion	version of specifications: Version_03_00, Version_12_00, Version_03_02	Version_12_00		enum	
Velocity	mobile velocity in km/hour	100km	m	real	$(0, \infty)$
GainArray	path gain in terms of decibel	0dB -10dB		real array	$(-\infty, \infty)^{\dagger}$
DelayArray	path delay in terms of nanosecond	0ns 976ns		int array	$[0, \infty)^{\dagger}$
RicianFactor	ratio of specular power and the fading power	0.0		real	$[0, \infty)$
Algorithm	the algorithm used: SoS_Stochastic, SoS_Deterministic, Filter_AWGN_Noise	SoS_Stochastic		enum	
ChProfile	channel profile: UserDefined, Case1, Case2, Case3, Case4, Case5	UserDefined		enum	

\dagger for each array element; number of elements in arrays GainArray and DelayArray must be the same

Pin Inputs

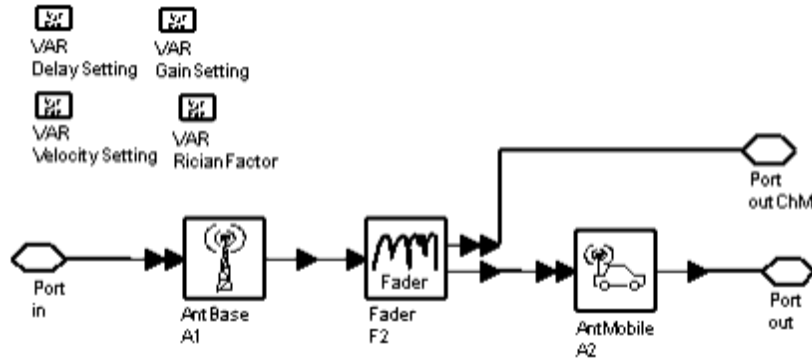
Pin	Name	Description	Signal Type
1	in	input timed signal	timed

Pin Outputs

Pin	Name	Description	Signal Type
2	out	output signal	timed
3	outChM	fading factor	multiple timed

Notes/Equations

1. This subnetwork model can be used to simulate the multipath fading channel:
 - According to 3GPP as defined in [1], when ChProfile is set to Case1, Case2, Case3, Case4, or Case5.
 - According to user-defined fading channel profile, when ChProfile is set to UserDefined.
2. This subnetwork is a hierarchical model that includes the Fader component, which is located in the Antennas & Propagation library; 3GPPFDD_Channel provides the interface to Fader. The schematic for this subnetwork is shown in the following image.



3GPPFDD_Channel Schematic

3. When ChProfile = UserDefined, the fading channel profile (relative channel delay spread and average power) is determined by the external input from the GainArray and DelayArray parameters. When ChProfile is set to a pre-defined fading channel profile defined for 3GPP, the relative channel delay spread and average power are given in the following table.

Channel Profile Configurations

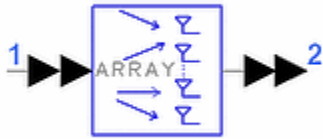
Case 1, 3 km/h		Case 2, 3 km/h		Case 3, 120 km/h		Case 4, 3 km/h		Case 5, 50 km/h	
Relative Delay (nsec)	Average Power (dB)	Relative Delay (nsec)	Average Power (dB)	Relative Delay (nsec)	Average Power (dB)	Relative Delay (nsec)	Average Power (dB)	Relative Delay (nsec)	Average Power (dB)
0	0	0	0	0	0	0	0	0	0
976	-10	976	0	260	-3	976	0	976	-10
		20000	0	521	-6				
				781	-9				

4. RicianFactor is the ratio of direct signal power and fading power; refer to Fader documentation for details.

References

1. 3GPP Technical Specification TS 25.101 V3.10.0, UE Radio transmission and reception (FDD) March 2003, Release 1999. http://www.3gpp.org/ftp/Specs/2002-03/R1999/25_series/25101-3a0.zip

AntArray



Description Antenna Array
 Library Antennas & Propagation
 Class TSDFAntArray
 Derived From antenna

Parameters

Name	Description	Default	Sym	Unit	Type	Range
Gain	Gain of antenna, in dB	0.0	g		real	$(-\infty, \infty)$
X	X-position coordinate of antenna	0.0		m	real	$(-\infty, \infty)$
Y	Y-position coordinate of antenna	0.0		m	real	$(-\infty, \infty)$
Height	base station height of antenna array, measured from average rooftop	15		m	real	$(0, \infty)$
AOA	angle of arrival array representing the multipath wavefront azimuth angles received by the array in the uplink operation mode	75.0 45.0 15.0 -15.0 -45.0 -75.0	j		real array	$(-\infty, \infty)$
OperationMode	operation mode of the	UpLink			enum	

Advanced Design System 2008

	array: UpLink, DownLink					
NumberOfElements	number of array elements	6	M		int	(1, ∞)
IntervalOfElements	interval between two antenna elements	0.075	d		real	(0, ∞)

Pin Inputs

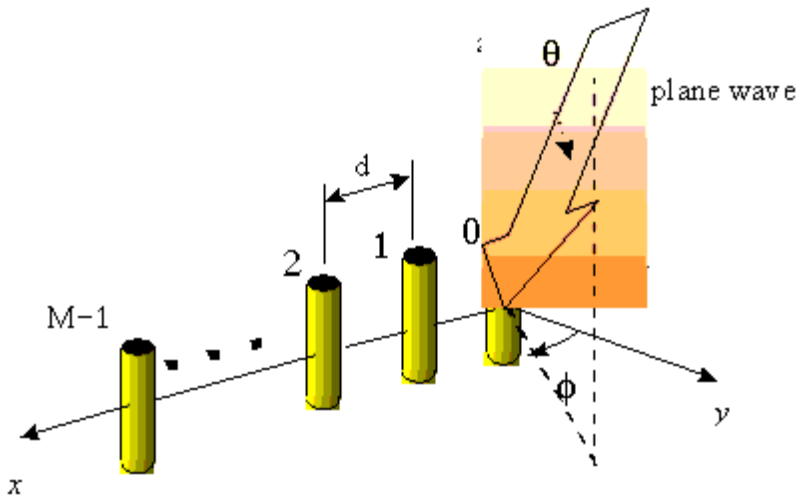
Pin	Name	Description	Signal Type
1	inm	Antenna input signals from channel	multiple timed

Pin Outputs

Pin	Name	Description	Signal Type
2	outm	Output signals associated with array elements	multiple timed

Notes/Equations

- This component simulates an antenna array using gain of antenna and the angle of arrival of each multipath echo specified by the AOA parameter.
In the uplink mode, set by the OperationMode parameter, the model receives L input timed signals from a multipath channel, processes these signals and outputs M timed signal associated with an M-element array. In the downlink mode, it sums all received input timed signals and transmits M timed signals corresponding to the M-element array.
At each firing, one timed token is consumed, and one token is produced.
- The following image shows the geometry of the array and a received multipath wavefront.



AntArray Geometry and Received Multipath Wavefront

As shown in the preceding image the uniform array is placed along the X-axis with a separation d . The array response vector is described by the angle ϕ measured from the broadside direction perpendicular to the array in the azimuth plane. The array response vector for an array with M elements is given by

$$\alpha(\phi_l) = \begin{bmatrix} 1 \\ \exp(-j\beta d \sin(\phi_l)) \\ \exp(-j\beta 2d \sin(\phi_l)) \\ \dots \\ \exp(-j\beta(M-1)d \sin(\phi_l)) \end{bmatrix}$$

Thus one can identify the modes.

where

$$\beta = 2\pi/\lambda \text{ is the wavenumber}$$

The output of element k of the array can be expressed as

$$y_k = g \sum_{l=1}^L \alpha(\varphi_{kl}) X_l$$

where X_l is the l th multipath echo received by the array.

AntBase



Description Base Station Stationary Antenna Model
 Library Antennas & Propagation
 Class TSDFAntBase
 Derived From antenna

Parameters

Name	Description	Default	Sym	Unit	Type	Range
Gain	Gain of antenna, in dB	0.0	g		real	$(-\infty, \infty)$
X	X-position coordinate	0.0		m	real	
Y	Y-position coordinate	0.0		m	real	
Height	antenna height above X-Y plane	10		m	real	$(0, \infty)$

Pin Inputs

Pin	Name	Description	Signal Type
1	input	Antenna input signal	multiple timed

Pin Outputs

Pin	Name	Description	Signal Type
2	output	Antenna output signal	timed

Notes/Equations

1. Base (or fixed) station antennas are linearly polarized antennas used in mobile communication service at the base station of a radio relay link. The specification "EIA/TIA-329-B, Minimum Standards for Communication Antennas, Part I-Base Station Antennas" describes the standards for this class of antennas.
2. This component radiation has a dominant vertical component of the electric field (E z).
3. The Gain unit is in dB and is defined with reference to an isotropic source (dBi). To comply with communication antenna standards, a dBd (gain with respect to a half-wave dipole) should be used, which is 2.15 dB over isotropic.
4. To accommodate for specification of input impedance versus frequency, circuit subnetworks can be created and co-simulated with the appropriate circuit simulator.
5. The antenna has a multi-input pin to receive multiple channels when at Rx mode. All inputs to AntBase must have the same carrier frequency.
6. For general information, refer to [About Antennas and Propagation Components](#).

AntMobile



Description Cellular Mobile Antenna
 Library Antennas & Propagation
 Class TSDFAntMobile
 Derived From antenna

Parameters

Name	Description	Default	Sym	Unit	Type	Range
Gain	Gain of antenna, in dB	0.0	g		real	$(-\infty, \infty)$
X	X-position coordinate, in distance units	100.0		m	real	
Y	Y-position coordinate, in distance units	0.0		m	real	

Advanced Design System 2008

Height	antenna height above X-Y plane, in length units	2.0		m	real	(0, ∞)
SpeedType	velocity unit: km/hr, miles/hr	km/hr			enum	
Vx	X component of velocity vector	0.0			real	
Vy	Y component of velocity vector	0.0			real	

Pin Inputs

Pin	Name	Description	Signal Type
1	input	Antenna input signal	multiple timed

Pin outputs

Pin	Name	Description	Signal Type
2	output	Antenna output signal	timed

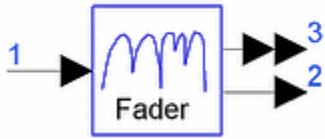
Notes/Equations

1. Mobile antennas are mounted on vehicles and used in the land-mobile communications services. The specification "EIA/TIA-329-B-1, Minimum Standards for Communication Antennas, Part II-Vehicular Antennas" describes the standards for this class of antennas.
2. This component radiation has a dominant vertical component of the electric field (E z).
3. The Gain unit is in dB and is an isotropic source (dBi). To comply with standards for communication antennas, a dBd (gain with respect to a half-wave dipole) should be used, which is 2.15 dB over isotropic.
4. To accommodate for specification of input impedance versus frequency, circuit subnetworks can be created and co-simulated with the appropriate circuit simulator.
5. The antenna has a multi-input pin to receive multiple channels when at Rx mode. All inputs to AntMobile must have the same carrier frequency.
6. The mobile antenna position changes from initial location along a straight line during simulation. The new coordinates are

$$X'(t) = X(t) + V_x \times t$$

$$Y'(t) = Y(t) + V_y \times t$$
7. Propagation pathloss is updated based on changing distance between transmit and receive antennas.
8. For general information, refer to [About Antennas and Propagation Components](#).

Fader



Description Fading channel model
 Library Antennas & Propagation
 Class TSDFFader
 Derived From channel

Parameters

Name	Description	Default	Type	Range
GainArray	path gain in terms of decible	0dB -10dB	real array	$(-\infty, \infty)^\dagger$
DelayArray	path delay in terms of ns	0ns 976ns	int array	$[0, \infty)^\dagger$
RicianFactor	ratio of specular power and the fading power	0.0	real	$[0, \infty)$
Algorithm	the algorithm used: SoS_Stochastic, SoS_Deterministic, Filter_AWGN_Noise	SoS_Stochastic	enum	

† for each element of the array

Pin Inputs

Pin	Name	Description	Signal Type
1	input	channel input signal	timed

Pin Outputs

Pin	Name	Description	Signal Type
2	output	output signal	timed
3	outChM	fading factor	multiple timed

Notes/Equations

1. This model is the fading channel emulator. The input signal is faded by multiplying the fading coefficients generated using the selected algorithm. If RicianFactor is 0.0, the fading probability density function is Rayleigh distributed; otherwise the fading probability density function is Rician distributed.
2. GainArray specifies the gain of each fading path in terms of decibel, while the delay of each path is specified by DelayArray in terms of nanosecond. The number of fading paths to be generated is equal to the size of GainArray and DelayArray. The generated multiple path fading coefficients are output from pin 3 for test purposes. Pin 2 is the output of the signal passing through a multipath fading channel.
3. The gain of this model has been normalized so that the output power is the same as the input power regardless of the channel configuration. RicianFactor is the ratio of direct signal power and fading power. Fading power is distributed to the multiple path signal according to the gain setting of each path. For example, if the input power is 1, RicianFactor is 2, and GainArray is "0 dB - 2 dB", then the direct signal power will be $2/(1+2) = 2/3$ and fading power will be $1/(1+2) = 1/3$. Fading power allocated to path 1 will be

$$\frac{1}{3} \times 10^{0.0/10} / (10^{0.0/10} + 10^{-2/10})$$

and power for path 2 will be

$$\frac{1}{3} \times 10^{-2/10} / (10^{0.0/10} + 10^{-2/10})$$

4. Three algorithms can be selected to generate the fading coefficient.
 - stochastic sum-of-sinusoid method in which the number of oscillators are selected as 64[1];
 - Jakes deterministic sum-of-sinusoid method [2];
 - to pass an AWGN noise through a shaping filter; this filter is identical with the one used in CDMA2K_ClassicSpec which is available in CDMA2K design library. If Filter_AWGN_Noise method is selected, it's better to have the time step less than 1 μ so that the fading coefficients will be more reasonable. In this case, a delay is shown because of noise filtering; the delay depends on time step and is equal to 16 times time step.
5. This model is used in conjunction with antennas. Either a base station antenna or a mobile antenna is connected with the input and output pins. This model reads velocity information from the antenna to calculate the Doppler frequency shift.
6. If the input time step is too large, interpolation will be performed to up-sample the signal so that the resulted time step will be less than 1 nsec. Simulation time in the case of a large interpolation rate would increase; in other cases when the delay for a path is larger, the signals to be buffered and interpolated would increase which would lead to increased simulation time.
7. The fading coefficients generated by SoS_Stochastic and Filter_AWGN_Noise methods are independent for different paths. However, caution must be given to prove that the Jakes SoS Deterministic method doesn't have good correlation between different paths (see Reference #3 that follows).
8. For general information, refer to [About Antennas and Propagation Components](#).

References

1. Y. R. Zheng and C. Xiao, "Improved models for the generation of multiple un-correlated Rayleigh fading waveforms," IEEE Communications Letters, vol. 6, no. 6, pp. 256-258, June 2002.
2. W. C. Jakes, Microwave Mobile Communications: Wiley, 1974. Reprinted by IEEE Press in 1994.
3. P. Dent, G. E. Bottomley, and T. Croft, "Jakes fading model revisited," Electronics Letter, vol. 29, no. 13, pp. 1162-1163, June 1993.

PropFlatEarth



Description Direct and Reflected Ray Propagation Model

Library Antennas & Propagation

Class TSDFPropFlatEarth

Derived From channel

Parameters

Name	Description	Default	Type
Polarization	polarization type: Vertical, Horizontal	Vertical	enum
Permittivity	earth's average relative permittivity	15	real
Conductivity	earth's average conductivity	0.005	real

Pin Inputs

Pin	Name	Description	Signal Type
1	input	channel input signal	timed

Pin Outputs

Pin	Name	Description	Signal Type
2	output	channel output signal	timed

Notes/Equations

1. PropFlatEarth models the sum of a direct and reflected ray propagation channel model based on polarization and flat earth properties.
2. This component is based on the two-ray LOS model where the received signal is the sum of contributions from the direct and reflected rays. By summing the contributions from each ray, the received signal at the Rx end for a pair of antennas can be expressed as

$$P_r = P_t \left(\frac{\lambda}{4\pi} \right)^2 \left| \frac{1}{r_1} e^{-jk r_1} + \Gamma(\alpha) \frac{1}{r_2} e^{-jk r_2} \right|^2$$

where P_t is the transmitter power, r_1 is the direct distance from transmitter to receiver, r_2 is the distance through the reflection on the ground, and $\Gamma(\alpha)$ is the complex reflection coefficient as a function of incident angle α and complex permittivity of the ground ϵ_r :

$$\Gamma(\alpha) = \frac{\cos\theta - q\sqrt{\epsilon_r - \sin^2\theta}}{\cos\theta + q\sqrt{\epsilon_r - \sin^2\theta}}$$

where $\theta = 90^\circ - \alpha$ and $q = 1$ or $(\epsilon_r)^{-1}$ for vertical or horizontal polarization, respectively.

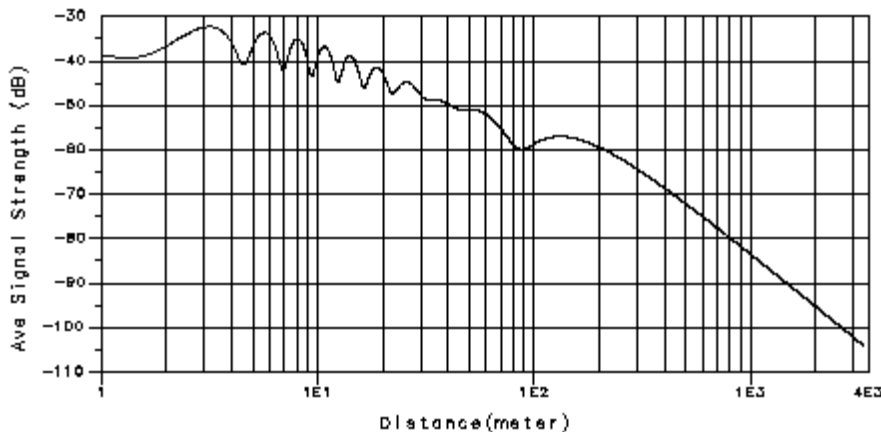
3. The complex relative permittivity is related to medium's average permittivity and conductivity:
 $\epsilon_r = \epsilon_r(\text{average}) - j60\sigma$

Typical values for permittivity and conductivity of various earth's mediums are listed in the following table.

Type of Surface	ϵ_r	Average σ (rho/meter)
Fresh water (lakes and rivers)	81	0.001
Sea water	81	5.0
Good ground	25	0.02
Average ground	15	0.005
Poor ground	4	0.001
Mountains		0.00075

The following image shows the received power as a function of antenna separation using FlatEarth channel (see also the Reference #1).

`EqnDistance=flatEarth.DF1.T2.DF.time*120000/3600+1`



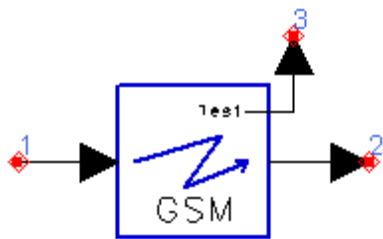
Received Power as a Function of Antenna Separation Using FlatEarth Channel

4. For general information, refer to [About Antennas and Propagation Components](#).

References

1. H. Xia, H. Bertoni, "Radio Propagation Characteristics for LOS Microcellular and Personal Communications," IEEE Trans, APS, October 1993.

PropGSM



Description GSM Propagation Model
 Library Antennas & Propagation
 Class TSDFPropGSM
 Derived From channel

Parameters

Name	Description	Default	Type
Type	GSM type: NoMultipath, RuralArea1, RuralArea2, HillyTerrain6Tap1, HillyTerrain6Tap2, HillyTerrain12Tap1, HillyTerrain12Tap2, UrbanArea6Tap1, UrbanArea6Tap2, UrbanArea12Tap1, UrbanArea12Tap2, EqualizationTest	NoMultipath	enum
Pathloss	inclusion of large-scale pathloss: No, Yes	No	enum
Seed	number to randomize channel output	1234567	int

Advanced Design System 2008

Test	test port accessing single path random gain functions: Tap1, Tap2, Tap3, Tap4, Tap5, Tap6, Tap7, Tap8, Tap9, Tap10, Tap11, Tap12	Tap1	enum
------	--	------	------

Pin Inputs

Pin	Name	Description	Signal Type
1	input	channel input signal	timed

Pin Outputs

Pin	Name	Description	Signal Type
2	output	channel output signal	timed
3	test	Test port	timed

Notes/Equations

- PropGSM models a directional multipath channel based on GSM specifications. The model is a multi-tap filter, each tap having a delay and power. And, each tap is modulated by a colored noise source (gain function). Including the multipath fading and pathloss effects, the output of the channel can be described as

$$r(t) = \left(\alpha \sum_{i=1}^M \beta_i s(t - \tau_i) e^{-j\tau_i \omega_c} g_i(t) \right)$$

where

α = pathloss attenuation, $\alpha \leq 1$

β_i = relative power of each echo, per specification

τ_i = relative delay of each echo, plus the direct path delay τ_0

$s(t)$ = complex envelope input signal

g_i = random gain function associated with each echo

For the NoMultipath option, $M = 1$, $\tau_1 = \tau_0$

The gain function can be described as a sum of non-overlapping sinusoids of equal amplitudes and different frequency and phases.

The pathloss attenuation factor $\alpha=1$ when Pathloss= No. And, note that when Pathloss= No, the sum $r(t)$ may add up to be more than the input $s(t)$, implying that channel has a gain. For this reason, when Pathloss= No, the output is normalized to the linear sum of echo powers with each option.

For more details, refer to [About Antennas and Propagation Components](#)

- Specification GSM 05.05, European Digital Cellular Telecommunications System (Phase 1) Radio Transmission and Reception, Annex 4 is the basis for the PropGSM model. With the exception of Type= NoMultipath, which is an addition, GSM system defines eleven different propagation profiles described by the Type parameter: two for rural; four for hilly; four for urban; and one for equalizer test. The following tables depict the GSM delay profiles

Advanced Design System 2008

associated with each Type.

Hilly Terrain 6-Tap Types

Tap Number	Relative Time (usec)		Average Relative Power (dB)		Doppler Spectrum
	Option 1	Option 2	Option 1	Option 2	
1	0.0	0.0	0.0	0.0	Classical
2	0.1	0.2	-1.5	-2.0	Classical
3	0.3	0.4	-4.5	-4.0	Classical
4	0.5	0.6	-7.5	-7.0	Classical
5	15.0	15.0	-8.0	-6.0	Classical
6	17.2	17.2	-17.7	-12.0	Classical

Hilly Terrain 12-Tap Types

Tap Number	Relative Time (usec)		Average Relative Power (dB)		Doppler Spectrum
	Option 1	Option 2	Option 1	Option 2	
1	0.0	0.0	-10.0	-10.0	Classical
2	0.1	0.2	-8.0	-8.0	Classical
3	0.3	0.4	-6.0	-6.0	Classical
4	0.5	0.6	-4.0	-4.0	Classical
5	0.7	0.8	0.0	0.0	Classical
6	1.0	2.0	0.0	0.0	Classical
7	1.3	2.4	-4.0	-4.0	Classical
8	15.0	15.0	-8.0	-8.0	Classical
9	15.2	15.2	-9.0	-9.0	Classical
10	15.7	15.8	-10.0	-10.0	Classical
11	17.2	17.2	-12.0	-12.0	Classical
12	20.0	20.0	-14.0	-14.0	Classical

Urban Area 6-Tap Types

Tap Number	Relative Time (usec)		Average Relative Power (dB)		Doppler Spectrum
	Option 1	Option 2	Option 1	Option 2	
1	0.0	0.0	-3.0	-3.0	Classical

Advanced Design System 2008

2	0.2	0.2	0.0	0.0	Classical
3	0.5	0.6	-2.0	-2.0	Classical
4	1.6	1.6	-6.0	-6.0	Classical
5	2.3	2.4	-8.0	-8.0	Classical
6	5.0	5.0	-10.0	-10.0	Classical

Urban Area 12-Tap Types

Tap Number	Relative Time (usec)		Average Relative Power (dB)		Doppler Spectrum
	Option 1	Option 2	Option 1	Option 2	
1	0.0	0.0	-4.0	-4.0	Classical
2	0.1	0.2	-3.0	-3.0	Classical
3	0.3	0.4	0.0	0.0	Classical
4	0.5	0.6	-2.6	-2.0	Classical
5	0.8	0.8	-3.0	-3.0	Classical
6	1.1	1.2	-5.0	-5.0	Classical
7	1.3	1.4	-7.0	-7.0	Classical
8	1.7	1.8	-5.0	-5.0	Classical
9	2.3	2.4	-6.5	-6.0	Classical
10	3.1	3.0	-8.6	-9.0	Classical
11	3.2	3.2	-11.0	-11.0	Classical
12	5.0	5.0	-10.0	-10.0	Classical

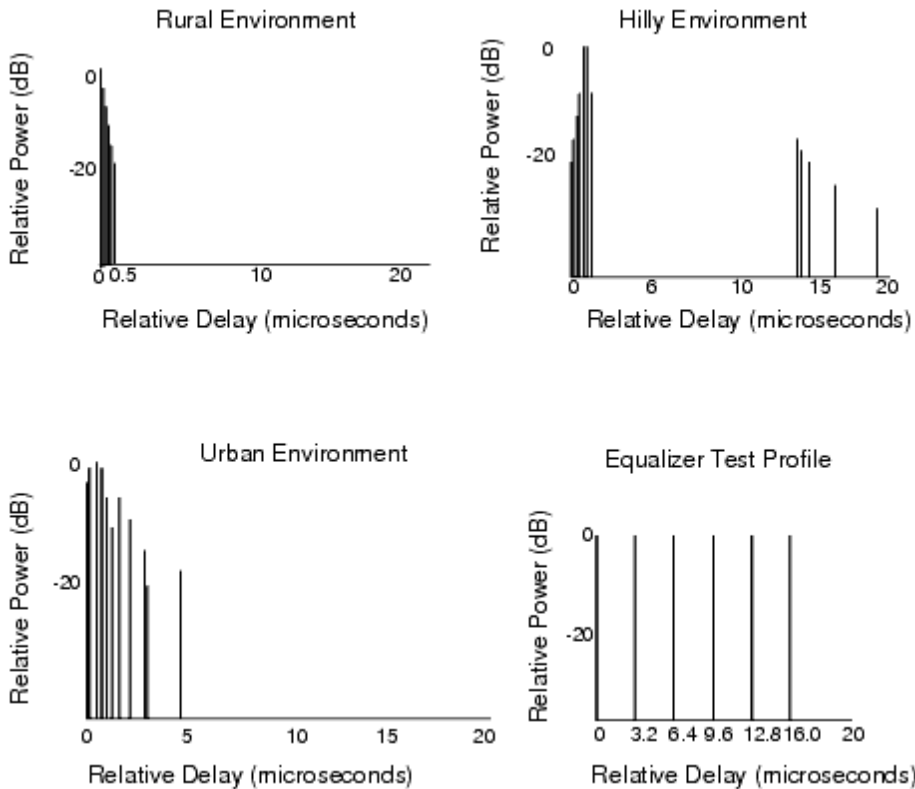
EqualizationTest Types

Tap Number	Relative Time (usec)	Average Relative Power (dB)	Doppler Spectrum
1	0.0	0.0	Classical
2	3.2	0.0	Classical
3	6.4	0.0	Classical
4	9.6	0.0	Classical
5	12.8	0.0	Classical
6	16.0	0.0	Classical

Rural Types

Tap Number	Relative Time (usec)		Average Relative Power (dB)		Doppler Spectrum
	Option 1	Option 2	Option 1	Option 2	
1	0.1	0.0	0.0	0.0	Rician
2	0.2	0.2	-4.0	-2.0	Classical
3	0.3	0.4	-8.0	-10.0	Classical
4	0.4	0.6	-12.0	-20.0	Classical
5	0.5		-16.0		Classical
6	0.6		-20.0		Classical

- Type = NoMultipath simulates a single line-of-sight (LOS) path with the free-space pathloss.
- Each Type option contains a unique set of parameters: the environment (rural, hilly, or urban), number of taps, and two options for 6- and 12-tap settings. And, a model (Type = EqualizationTest) is artificially created to test the equalizer.
- As an example, the average delay profile of each Type is depicted in the following image. As shown in this figure, the rural environment is the least hostile (roughly a 1-path non-dispersive model), while hilly and urban environments are examples of more dispersive channels.



Typical Average Delay Profile of GSM

6. Type options include a reference delay of

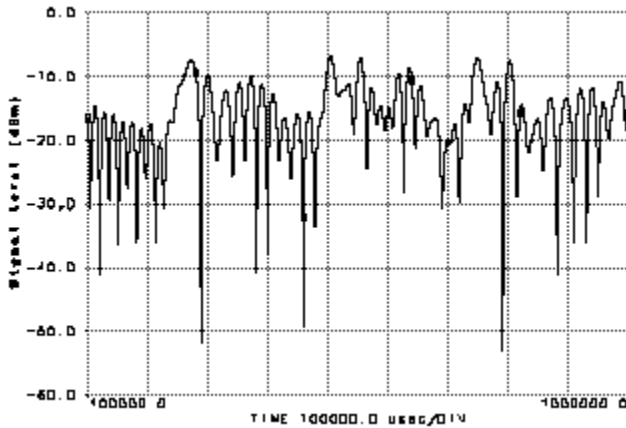
$$\tau_0 = \frac{R}{c}$$

where R is the initial distance between two antennas and c is the free space speed of light. If there is more than one path in a propagation model, the relative delay of each path is with respect to τ_0 .

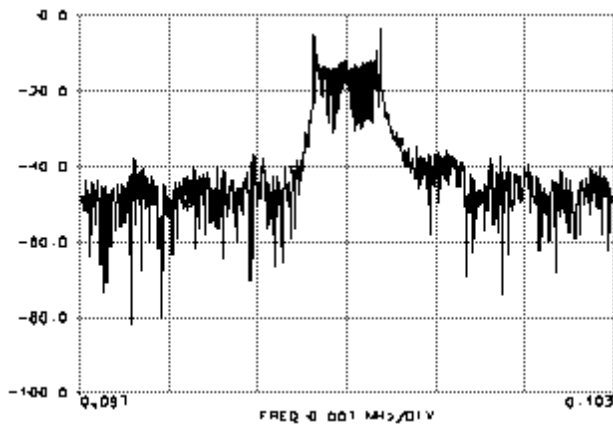
7. For each Type option (except Type = NoMultipath and Type = RuralArea) the paths are assumed to have a Rayleigh envelope distribution with a (classical) Doppler spectrum. For Type = NoMultipath a simple Doppler shift is assumed. For Type = RuralArea, the first tap has a Rician envelope distribution implying a direct LOS in addition to Rayleigh fading.

Propagation Channels

8. The pathloss computation is dynamic, which means, during simulation due to mobile travel the distance between the transmit and receive antennas is changing and pathloss is adjusted accordingly.
9. The parameter Seed randomizes the output of the propagation model. A fixed Seed results in the same output from simulation to simulation and among models in a multi-channel design.
10. The test port is the output of a (user-selected) single path without pathloss or delay effects. The output is the gain function, which is described in the introductory part of this chapter.
11. Typical short-term fading signal (Rayleigh) envelope and RF Doppler spectrum are depicted in the following images.

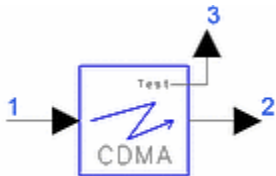


Typical Fading Envelope of PropGSM



12. For general information, refer to [About Antennas and Propagation Components](#).

PropNADCdma



Description Propagation Channel (CDMA) Model
 Library Antennas & Propagation
 Class TSDFPropNADCdma
 Derived From channel

Parameters

Name	Description	Default	Type
Type	propagation type: NoMultipath, OnePath, TwoPath, ThreePath	NoMultipath	enum
Pathloss	inclusion of large scale pathloss: No, Yes	No	enum
Env	Environment Type Options: TypicalUrban, TypicalSuburban, RuralArea, FreeSpace	TypicalUrban	enum
Seed	number to randomize channel output	1234567	int
Test	test port for single path random function: Tap1, Tap2, Tap3	Tap1	enum

Pin Inputs

Pin	Name	Description	Signal Type
1	input	channel input signal	timed

Pin Outputs

Pin	Name	Description	Signal Type
2	output	channel output signal	timed
3	test	Test port	timed

Notes/Equations

- PropNADCCdma models a multipath channel based on IS-97 specifications. The model is a multi-tap filter, each tap having a delay and power. And, each tap is modulated by a colored noise source. Including the multipath fading and pathloss effects, the output of the channel can be described as

$$r(t) = \left(\alpha \sum_{i=1}^M \beta_i s(t - \tau_i) e^{-j\tau_i \omega_c} g_i(t) \right)$$

where

α = pathloss attenuation, $\alpha \leq 1$

β_i = relative power of each echo, per specification

τ_i = relative delay of each echo, plus the direct path delay τ_0

$s(t)$ = complex envelope input signal

g_i = random gain function associated with each echo

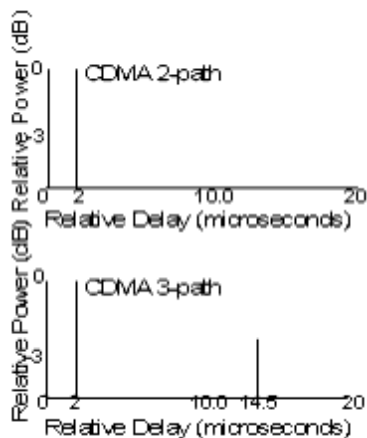
For the NoMultipath option, $M=1$, $\tau_1=\tau_0$

The gain function can be described as a sum of non-overlapping sinusoids of equal amplitudes and different frequency and phases.

The pathloss attenuation factor $\alpha=1$ when Pathloss = No. And, note that when Pathloss = No, the sum $r(t)$ may add up to be more than the input $s(t)$, implying that channel has a gain. For this reason, when Pathloss = No, the output is normalized to the linear sum of echo powers with each option.

For more details, refer to [About Antennas and Propagation Components](#).

- This component is based on the North American Dual Model Cellular (NADC) IS-97 specification.
- Except for Type = NoMultipath, where free space pathloss and a pure Doppler shift is assumed, other Type options have a Rayleigh envelope distribution with a (classical) Doppler spectrum and pathloss defined by the Env parameter.
- The following image depicts 2- and 3-path power delay profiles used in PropNADCCdma.



Average Delay Profiles of CDMA Propagation Channels

5. Type options include a reference delay of

$$\tau_0 = \frac{R}{c}$$

where R is the initial distance between two antennas and c is the free space speed of light. If there is more than one path in a propagation model, the relative delay of each path is with respect to τ_0 .

6. The 2- and 3-path models have a Rayleigh envelope distribution with a (classical) Doppler spectrum.
 7. The parameter Seed randomizes the output of the propagation model. A fixed Seed results in the same output from simulation to simulation and among models in a multi-channel design.
 8. The test port is the output of a (user-selected) single path without pathloss or delay effects. The output is the gain function described in [About Antennas and Propagation Components](#).
 9. Sufficient simulation time is required for accurate pdf and cpdf. For evaluation of envelope statistics, it is preferable to have independent samples (that is, samples at a low rate, which implies TStep is large). The duration of the simulation (Stop parameter of the data collecting sink) should be large enough to cover 100 or more wavelengths of mobile travel. This translates to simulation time that is greater than

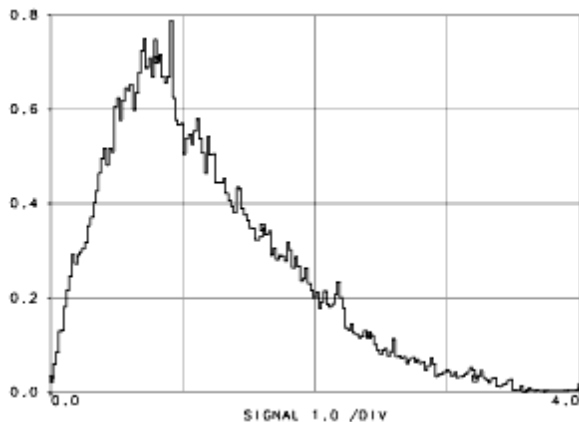
$$\frac{100}{|v|}$$

where

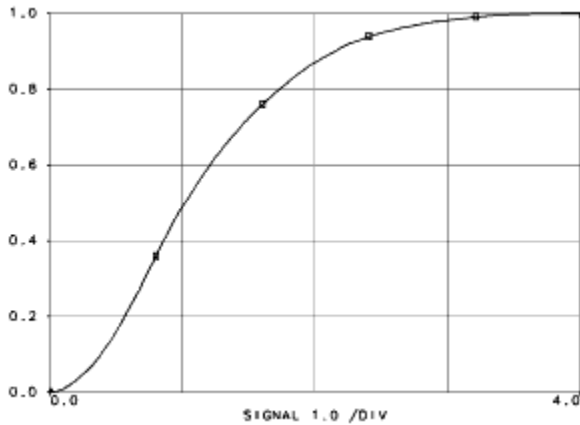
$$v = \frac{V}{\lambda}$$

is the maximum doppler frequency.

10. Typical probability density function (pdf) and cumulative probability density function (cpdf) of the signal envelope are depicted in the following images. Sufficient simulation time is required for accurate pdf and cpdf.

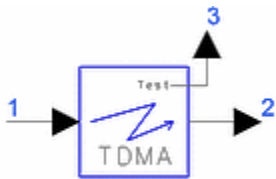


Typical pdf of Signal Envelope



Typical cpdf of Signal Envelope

PropNADctdma



Description NADC Propagation (TDMA) Model, Directional
 Library Antennas & Propagation
 Class TSDFPropNADctdma
 Derived From channel

Parameters

Name	Description	Default	Type
Type	propagation type: NoMultipath, FlatFade, TwoPath	NoMultipath	enum
Pathloss	inclusion of large scale pathloss: No, Yes	No	enum
Env	Environment Type Options: TypicalUrban, TypicalSuburban, RuralArea, FreeSpace	TypicalUrban	enum

Advanced Design System 2008

Delay	relative delay (Type=TwoPath) with respect to first path, in microseconds	0.0	real
Pwr	relative power (Type=TwoPath) with respect to first path, in dB	0.0	real
Seed	integer number to randomize channel output	1234567	int
Test	test port for single path: Tap1, Tap2	Tap1	enum

Pin Inputs

Pin	Name	Description	Signal Type
1	input	channel input signal	timed

Pin Outputs

Pin	Name	Description	Signal Type
2	output	channel output signal	timed
3	test	Test port	timed

Notes/Equations

- PropNADCDma models a unidirectional multipath channel based on IS-55 and IS-56 propagation specifications. The model is a multi-tap filter, each tap having a delay and power. And, each tap is modulated by a colored noise source gain function described in [About Antennas and Propagation Components](#).

Including the multipath fading and pathloss effects, the output of the channel can be described as

$$r(t) = \left(\alpha \sum_{i=1}^M \beta_i s(t - \tau_i) e^{-j\tau_i \omega_c} g_i(t) \right)$$

where

α = pathloss attenuation, $\alpha \leq 1$

β_i = relative power of each echo, per specification

τ_i = relative delay of each echo, plus the direct path delay τ_0

$s(t)$ = complex envelope input signal

g_i = random gain function associated with each echo

For the NoMultipath option, $M = 1$, $\tau_1 = \tau_0$.

The gain function can be described as a sum of non-overlapping sinusoids of equal amplitudes and different frequency and phases.

The pathloss attenuation factor $\alpha=1$ when Pathloss = No. And, note that when Pathloss = No, the sum $r(t)$ may add up to be more than the input $s(t)$, implying that channel has a gain. For this reason, when Pathloss = No, the output is normalized to the linear sum of echo powers with each option.

For more details, refer to the [About Antennas and Propagation Components](#).

2. This component is based on the North American Dual Model Cellular (NADC).
3. Flat fade is assumed to be the non-frequency-selective fading.
4. Except for Type = NoMultipath where free space pathloss and a pure Doppler shift is assumed, all other Type options have a Rayleigh envelope distribution with a (classical) Doppler spectrum and pathloss defined by the Env parameter.
5. Type options include a reference delay of

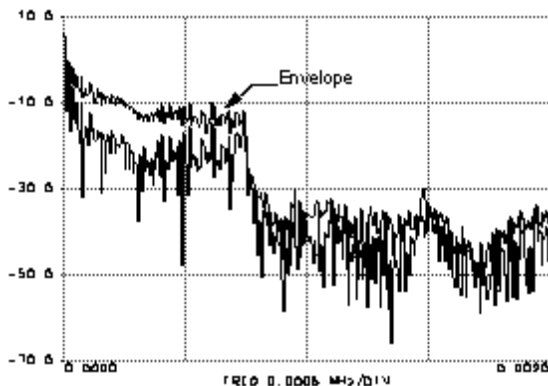
$$\tau_o = \frac{R}{c}$$

where R is the initial distance between two antennas and c is the free space speed of light.

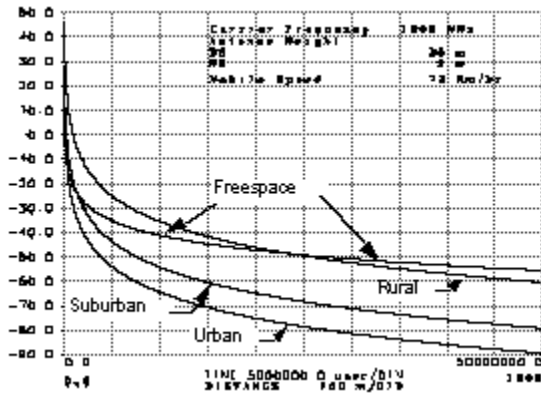
Delay in the two-ray model is the delay of the second ray with respect to the first ray, which is assumed to be τ_0 .

Pwr in the two-ray model is the power of the second ray below the power of the first ray.

6. The parameter Seed randomizes the output of the propagation model. A fixed Seed results in the same output from simulation to simulation and among models in a multi-channel design.
7. The test port is the output of a (user-selected) single path without pathloss or delay effects. The output is the gain function described in the introductory part of this chapter.
8. Typical envelope and envelope square spectrum of PropNADCtdma and pathloss profiles (no multipath) for different environments and different sets of transmit and receive antenna heights are shown in the following images.



Typical Envelope and Envelope Square Spectrum of PropNADCtdma



Pathloss Profiles for Different Environments

PropWCDMA



Description WCDMA Propagation Channel
 Library Antennas & Propagation
 Class TSDFPropWCDMA
 Derived From channel

Parameters

Name	Description	Default	Sym	Type	Range
ChannelType	Indicate the test environment (Delay, Power, and Doppler Spectrum of each path).: NoMultipath, Indoor A, Indoor B, Pedestrian A, Pedestrian B, Vehicular A, Vehicular B	Vehicular B		enum	

Advanced Design System 2008

Pathloss	option for inclusion of large-scale pathloss: No, Yes	No		enum	
Environment	IMT2000 environment for pathloss computation: Indoor, Pedestrian, Vehicular, FreeSpace	FreeSpace		enum	
NumberOfFloors	number of floors for indoor pathloss	4		int	(0, ∞)
N	2N+1 is the number of sine waves used in Jakes model	10	N	int	(0, ∞)
Seed	integer number to randomize the channel output (Jakes model)	1234567		int	(0, ∞)

Pin Inputs

Pin	Name	Description	Signal Type
1	input	channel input signal	timed

Pin Outputs

Pin	Name	Description	Signal Type
2	testOut	complex gain of the channel	complex
3	mout	Antenna input signal	multiple timed

Notes/Equations

1. This component models a fading channel based on the IMT2000 standard specification. The specification includes the delay spread, doppler spread and pathloss for various environments. A line of sight (LOS) option called NoMultipath is also available where the doppler shift due to mobility and the LOS delay are modeled. Results are available at channel output pin mout.
2. For doppler spread, Jakes model [2] is used that provides the doppler spectrum as well as the statistics of the

Advanced Design System 2008

fading channel. An additional output pin testOut is provided that conveys the complex gain multipliers of Jakes model.

3. The delay spread is modeled via a tap delay line where the number of taps is based on IMT2000 specifications for a given environment. There are 6 options (A and B for indoor, pedestrian, and vehicular environments) that are depicted in the following tables. In each case the input signal is delayed and the carrier phase due to the delay signal is incorporated. However, in the narrowband case (FLAT option in the indoor office test environment) only the carrier phase change associated with the multipath delay is included.

The delay profile for the various channel types result in the frequency selective fading.

Indoor Office Test Environment Tapped-Delay-Line Parameters

Tap	Channel A		Channel B		Doppler Spectrum
	Relative Delay (nsec)	Avg. Power (dB)	Relative Delay (nsec)	Avg. Power (dB)	
1	0	0	0	0	FLAT
2	50	-3.0	100	-3.6	FLAT
3	110	-10.0	200	-7.2	FLAT
4	170	-18.0	300	-10.8	FLAT
5	290	-26.0	500	-18.0	FLAT
6	310	-32.0	700	-25.2	FLAT

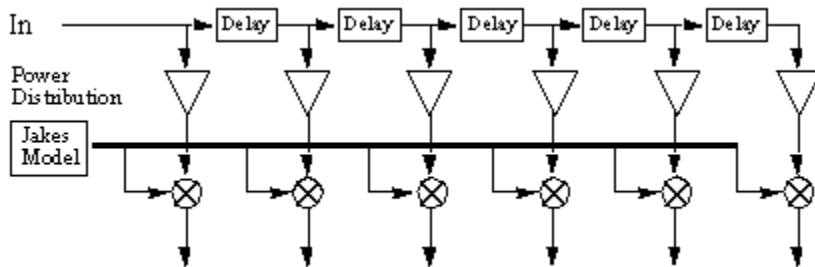
Outdoor to Indoor and Pedestrian Test Environment Tapped-Delay-Line Parameters

Tap	Channel A		Channel B		Doppler Spectrum
	Relative Delay (nsec)	Avg. Power (dB)	Relative Delay (nSec)	Avg. Power (dB)	
1	0	0	0	0	CLASSIC
2	110	-9.7	200	-0.9	CLASSIC
3	190	-19.2	800	-4.9	CLASSIC
4	410	-22.8	1200	-8.0	CLASSIC
5			2300	-7.8	CLASSIC
6			3700	-23.9	CLASSIC

Vehicular Test Environment, High Antenna, Tapped-Delay-Line Parameters

Tap	Channel A		Channel B		Doppler Spectrum
	Relative Delay (nsec)	Avg. Power (dB)	Relative Delay (nSec)	Avg. Power (dB)	
1	0	0	0	-2.5	CLASSIC
2	310	-1.0	300	0	CLASSIC
3	710	-9.0	8900	-12.8	CLASSIC
4	1090	-10.0	12900	-10.0	CLASSIC
5	1730	-15.0	17100	-25.2	CLASSIC
6	2510	-20.0	20000	-16.0	CLASSIC

The modeling process depicted in the following image indicates that the output of complex multipliers (multipath echoes) are not summed. PropWCDMA channel is typically followed by a Bus component (see WCDMAVectorChannel). The connected Bus allows each multipath (echo) to be intact when connecting to an AntArray component or any multiple timed input port. If PropWCDMA is directly connected to an antenna (either simple or array), only the first path (echo) will be passed to the antenna.



Delay and Doppler Spread and Carrier Phase Shift

- Unless stated otherwise, the use model is consistent with the guidelines described in the [About Antennas and Propagation Components](#).

References

- Draft New Recommendation ITU-R M.[FPLMT.REVAL], Guidelines for Evaluation of Radio Transmission Technologies for IMT-2000/FPLMTS (Question ITU-R 39/8).
- W. C. Jakes, Microwave Mobile Communications , IEEE Press, 1994.

TDSCDMA_FwdChannel



Description Multipath fading channel for forward link
 Library Antennas & Propagation
 Class TSDFTDSCDMA_FwdChannel

Parameters

Name	Description	Default	Type
Case	propagation conditions for multipath fading environments: case_1, case_2, case_3	case_1	enum

Pin Inputs

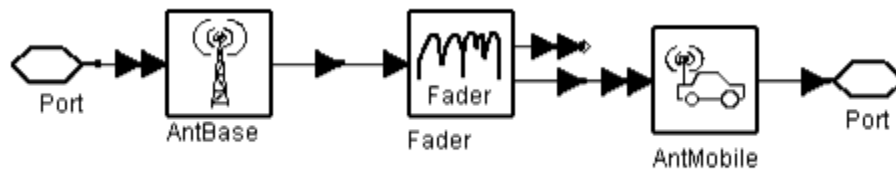
Pin	Name	Description	Signal Type
1	Input	input data	timed

Pin Outputs

Pin	Name	Description	Signal Type
2	Output	data after fading channel	timed

Notes/Equations

- This subnetwork is used to simulate propagation conditions for multipath fading environments. The schematic for this subnetwork is shown in the following image. Each firing, 1 Output token is produced when 1 Input is consumed.



 VAR

TDSCDMA_FwdChannel Schematic

Reference

1. 3GPP TS 25.142, 3rd Generation Partnership Project; Technical Specification Group Radio Access Network; Base station conformance testing (TDD) (Release 4), version 4.5.0, Jun., 2002.

TDSCDMA_RevChannel



Description Multipath fading channel for reverse link
 Library Antennas & Propagation
 Class TSDFTDSCDMA_RevChannel

Parameters

Name	Description	Default	Type
Case	propagation conditions for multipath fading environments: case_1, case_2, case_3	case_1	enum

Pin Inputs

Pin	Name	Description	Signal Type
1	Input	input data	timed

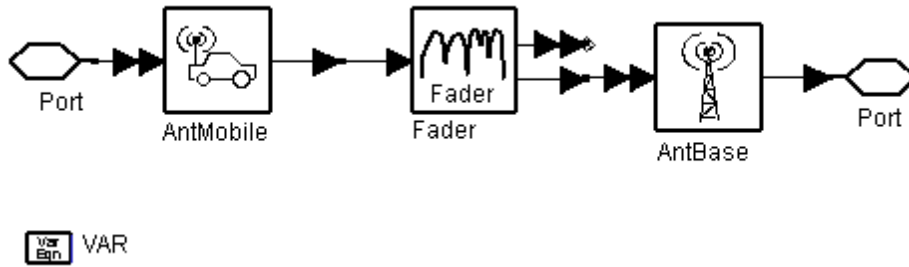
Pin Outputs

Pin	Name	Description	Signal Type
2	Output	data after fading channel	timed

Notes/Equations

1. This subnetwork is used to simulate propagation conditions for multipath fading environments.

The schematic for this subnetwork is shown in the following image.
Each firing, one Output token is produced when one Input is consumed.



Schematic of TDSCDMA_RevChannel

References

1. 3GPP TS 25.142, 3rd Generation Partnership Project; Technical Specification Group Radio Access Network; Base station conformance testing (TDD) (Release 4), version 4.5.0, June 2002.

UserDefChannel



Description User-Defined Channel
Library Antennas & Propagation
Class TSDFUserDefChannel
Derived From channel

Parameters

Name	Description	Default	Sym	Type	Range
PathNumber	number of multipath echos	2	L	int	(0, ∞)
AmpArray	amplitude weight of path array	1.0 0.5		real array	(-∞, ∞)
DelayArray	delays associated with path array, in microseconds	0.1 0.2		real array	(-∞, ∞)

Advanced Design System 2008

Seed	integer number to randomize channel output (Jakes model)	1234567		int	(0, ∞)
N	2N+1 is number of sine waves used in Jakes model	10	N	int	(0, ∞)
Pathloss	option for inclusion of large-scale pathloss: No, Yes	No		enum	
Env	environment for pathloss computation: TypicalUrban, TypicalSuburban, RuralArea, FreeSpace	TypicalUrban		enum	

Pin Inputs

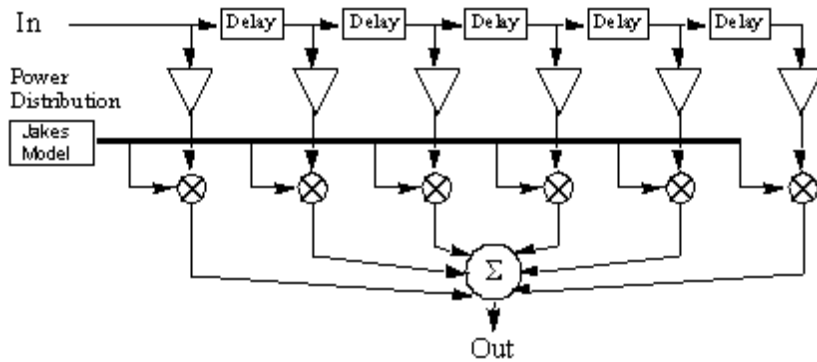
Pin	Name	Description	Signal Type
1	input	channel input signal	timed

Pin Outputs

Pin	Name	Description	Signal Type
2	output	channel output signal	timed

Notes/Equations

1. This component models a fading channel based on user-specified multipath delay profile via the DelayArray and AmpArray parameters. The results are available at the channel output port.
 2. For doppler spread, Jakes model [1] is used, which provides the doppler spectrum as well as the statistics of the fading channel.
 3. The delay spread is modeled via a tap delay line where the number of taps is based on the size of DelayArray and AmpArray. In each case the input signal is delayed and the carrier phase due to the delay signal is incorporated.
- The following image illustrates this modeling process when connected to a simple antenna.



Delay and Doppler Spread and Carrier Phase Shift

- Unless stated otherwise, the use model is consistent with the guidelines described in [About Antennas and Propagation Components](#). The delay profile specified by the designer determines the frequency selective nature of the channel.

References

- W. C. Jakes, Microwave Mobile Communications, IEEE Press, 1994.

UserDefVectorChannel



Description User-Defined Vector Channel
 Library Antennas & Propagation
 Class TSDFUserDefVectorChannel
 Derived From channel

Parameters

Name	Description	Default	Sym	Type	Range
PathNumber	number of multipath echos	2	L	int	(0, ∞)
AmpArray	amplitude weight of path array	1.0 0.5		real array	(-∞, ∞)
DelayArray	delays associated	0.1 0.2		real array	(-∞, ∞)

Advanced Design System 2008

	with path array, in microseconds				
Seed	integer number to randomize the channel output (Jakes model)	1234567		int	(0, ∞)
N	2N+1 is the number of sine waves used in Jakes model	10	N	int	(0, ∞)
Pathloss	option for inclusion of large-scale pathloss: No, Yes	No		enum	
Env	environment for pathloss computation: TypicalUrban, TypicalSuburban, RuralArea, FreeSpace	TypicalUrban		enum	

Pin Inputs

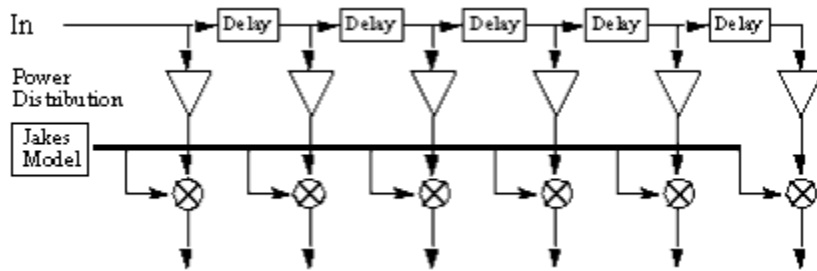
Pin	Name	Description	Signal Type
1	input	channel input signal	timed

Pin Outputs

Pin	Name	Description	Signal Type
2	mout	multiport channel output	multiple timed

Notes/Equations

1. UserDefVectorChannel is identical to [UserDefChannel](#), except the output of this model keeps the multipaths (echos) intact thus allowing a vector channel simulation when an [AntArray](#) component or any multiple timed input port is connected.
2. The following image illustrates the user-defined vector channel model when its output is connected to an array antenna.



User-Defined Vector Channel Model when Connected to an Array Antenna

UWB_Channel



Description UWB channel model
 Library Antennas & Propagation
 Class TSDFUWB_Channel

Parameters

Name	Description	Default	Unit	Type	Range
ChannelModel	channel model type: CM1, CM2, CM3, CM4	CM1		enum	
ChannelNumber	channel realization number	1		int	[1, 100]
TimeStep	time step	1.894 nsec	sec	real	
Fmin	-10dB lower edge frequency of the UWB signal	3169 MHz	Hz	real	(0, ∞)
Fmax	-10dB upper edge frequency of the UWB signal	4751 MHz	Hz	real	(0, ∞)
BlockLength	input signal block length in samples for fast	165		int	[1, +∞]

	convolution			
--	-------------	--	--	--

Pin Inputs

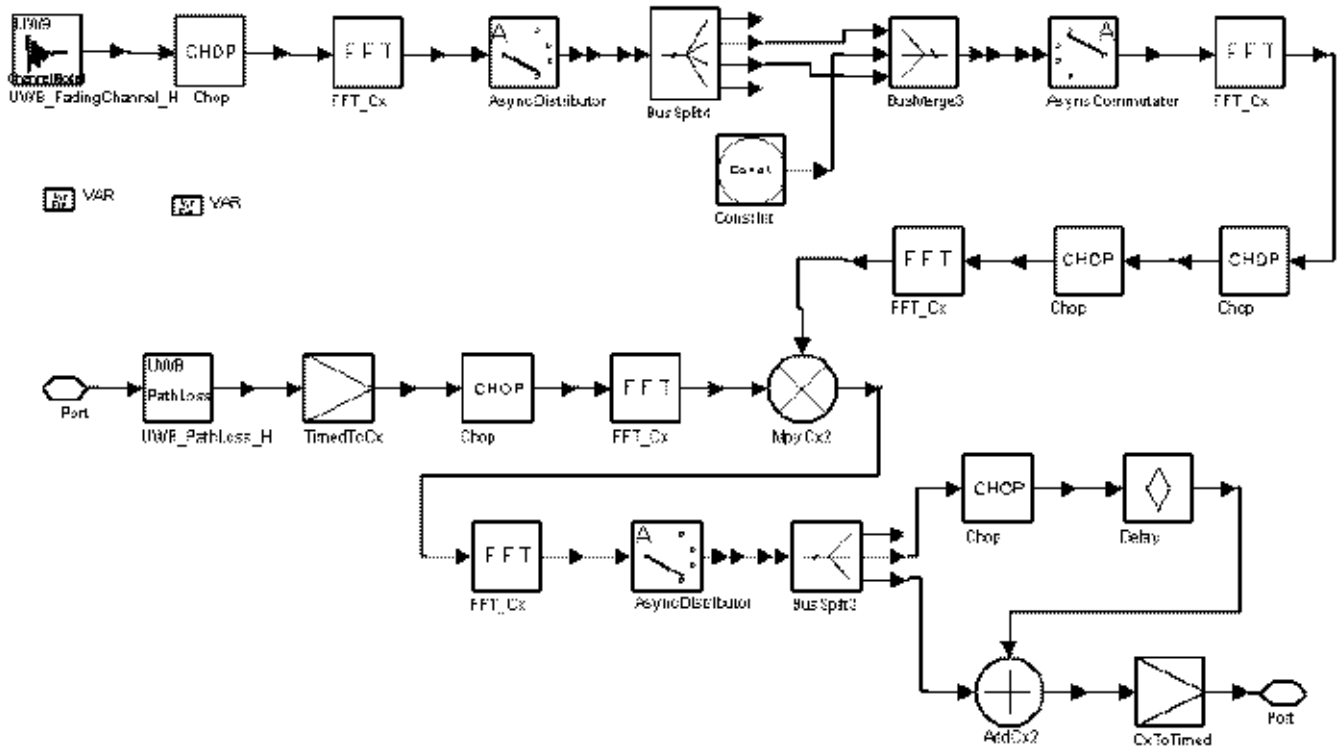
Pin	Name	Description	Signal Type
1	RF_In	input RF signal	timed

Pin Outputs

Pin	Name	Description	Signal Type
2	RF_Out	output RF signal	timed

Notes/Equations

1. This subnetwork is used to simulate multipath channels for UWB system. The schematic for this subnetwork is shown in the following image.



UWB_Channel Schematic

2. UWB channel model is derived from a modified Saleh-Valenzuela model, which consists of the following discrete time impulse response:

$$h_i(t) = X_i \sum_{l=0}^L \sum_{k=0}^K a_{k,l}^i \delta(t - T_l^i - \tau_{k,l}^i)$$

where

$a_{k,l}^i$ are the multipath gain coefficients

T_l^i is the delay of the l th cluster,

$\tau_{k,l}^i$ is the delay of the k th multipath component relative to the l th cluster arrival time

X_i represents the log-normal shadowing

i refers to the i th realization.

3. Four multipath channel models are specified in [Reference 1](#) that represent different multipath scenarios:
 - CM1 is based on LOS (0-4m) channel measurements reported in [Reference 2](#).
 - CM2 is based on NLOS (0-4m) channel measurements reported in [Reference 2](#).
 - CM3 is based on NLOS (4-10m) channel measurements reported in [Reference 2](#), and NLOS measurements reported in [Reference 3](#).
 - CM4 was generated to fit a 25 nsec RMS delay spread to represent an extreme NLOS multipath channel. One hundred actual realizations for each channel model are derived from the models and provided in Channel Modeling Sub-committee Final Report to help evaluate the UWB proposals.
4. To accommodate various sample times, the continuous-time model's (time,value) pair is quantized to ts/N where ts is the desired resolution and N is a suitably large integer. If multiple (time,value) pairs are quantized into the same time bin, their values are added. Then, in normal discrete-time processing, perform a band-pass with complex frequency down-conversion and decimate down by N . When choosing N , ensure that $N \times fs = N / ts$ is at least 100 GHz and that $N = 1$. Thus, $N = \max(1, \text{ceil}(ts \times 100 \text{ GHz}))$.
5. Path loss is also calculated in this subnetwork based on the link analysis table in [Reference 1](#), where path loss at 1 meter is

$$L_1 = 20 \log_{10} \left(\frac{4\pi f_c}{c} \right)$$

and pass loss at d m is

$$L_2 = 20 \log_{10}(d)$$

and

$$f_c = \sqrt{f_{min} f_{max}}$$

is the geometric center frequency of waveform; f_{min} and f_{max} are the -10dB edges of the waveform spectrum.

6. Fast convolution with FFT is used in this subnetwork to improve efficiency. The BlockLength parameter is the length of each input block segmentation; BlockLength must be larger than channel dispersion; BlockLength is a multiple of samples in one OFDM symbol and is divided by the number of samples in one frame.

References

1. IEEE P802.15-02/490r1-SG3a, Channel Modeling Sub-committee Report Final, February 2003.
2. IEEE P802.15-02/240-SG3a, Empirically Based Statistical Ultra-Wideband Channel Model.
3. IEEE P802.15-02/279-SG3a, UWB Channel Modeling Contribution from Intel.

WCDMAVector Channel



Description WCDMA Vector Channel
 Library Antennas & Propagation
 Class SDFWCDMAVectorChannel

Parameters

Name	Description	Default	Sym	Type	Range
ChannelType	type of Channel: NoMultipath, Indoor A, Indoor B, Pedestrian A, Pedestrian B, Vehicular A, Vehicular B	Vehicular B		enum	
Echos	number of multipath echos	6	L	int	(0, ∞)
Pathloss	option for inclusion of large-scale pathloss: No, Yes	No		enum	
Environment	IMT2000 environment for pathloss computation: Indoor, Pedestrian, Vehicular, FreeSpace	FreeSpace		enum	
NumberOfFloors	number of floors for indoor option	4		int	(0, ∞)
N	2N+1 is the number of sine waves used in Jakes model	10	N	int	(0, ∞)
Seed	integer number to randomize the	1234567		int	(0, ∞)

	channel output(Jakes model)				
--	-----------------------------	--	--	--	--

Pin Inputs

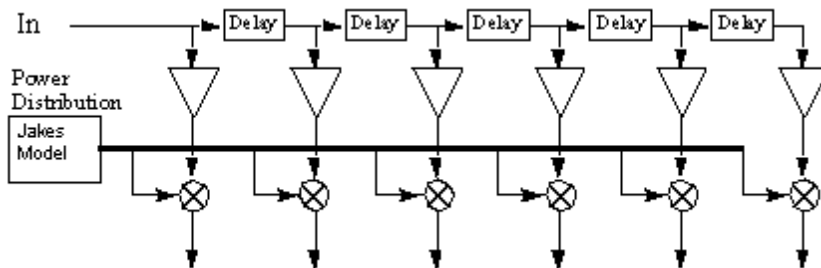
Pin	Name	Description	Signal Type
1	input	channel input	complex

Pin Outputs

Pin	Name	Description	Signal Type
2	output	channel output	multiple complex

Notes/Equations

1. WCDMAVectorChannel is a subcircuit design consisting of [PropWCDMA](#) and Bus components. The size of Bus must equal the number of multipath (echos) in the channel; otherwise, WCDMAVectorChannel acts identical to [PropWCDMA](#). The connecting Bus allows each multipath (echo) to be intact when it is connected to an [AntArray](#) component or any multiple timed input port.
2. The following image illustrates the WCDMA vector channel model output when connected to an array antenna.



WCDMA Vector Channel Model when Connected to an Array Antenna

WLAN_ChannelModel



Description: channel model

Advanced Design System 2008

Library: Antennas & Propagation
 Class: TSDFWLAN_ChannelModel

Parameters

Name	Description	Default	Unit	Type	Range
Algorithm	fading algorithm: Jakes, NoiseFilter	NoiseFilter		enum	
ModelType	fading model: NoMultipath, A, B, C, D, E, UserDefined	A		enum	
PathNumber	number of multipath echoes, effective only when ModelType is set as UserDefined	4		int	[1:150]
PowerArray	average relative power of path array, in dB, effective only when ModelType is set as UserDefined	0.0 -14 -18 -20		real array	(∞ , ∞)
DelayArray	delays associated with path array, in nsec, effective only when ModelType is set as UserDefined	0.0 56 106 185		real array	[0, ∞)
FadingType	fading type of first path, effective only when ModelType is set as UserDefined: Rayleigh, Ricean	Rayleigh		enum	
RiceanFactor	Ricean factor, effective only when ModelType is set as UserDefined and FadingType is set as Ricean	10		int	[1, ∞)

Advanced Design System 2008

Seed	integer number to randomize channel output(Jakes model)	1234567		int	(∞ , ∞)
N	number of oscillators in Jakes model	80		int	(PathNumber, ∞)
Pathloss	option for inclusion of large-scale pathloss: No, Yes	No		enum	
Env	environment type options: TypicalUrban, TypicalSuburban, RuralArea, FreeSpace	TypicalUrban		enum	

Pin Inputs

Pin	Name	Description	Signal Type
1	input	channel input signal	timed

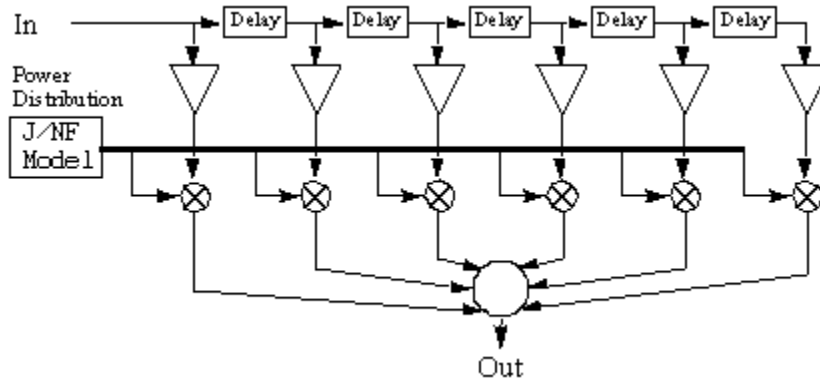
Pin Outputs

Pin	Name	Description	Signal Type
2	output	channel output signal	timed

Notes/Equations

1. This component is used to simulate a multi-path fading channel based on a tapped-delay line model. Each firing, one token is consumed at the input pin, and one token is produced at the output pin.
2. The multipath delay profile determines the frequency selective nature of the channel. Delay profile is specified by the designer via the ModelType, DelayArray, and PowerArray parameters.
3. The fading type of the first path can be Rayleigh or Ricean; if FadingType = Ricean, RiceanFactor determines the power ratio of the direct signal to all other indirect signals.
4. If ModelType = A, B, C, D or E, the PathNumber, DelayArray, FadingType, and RiceanFactor parameters are automatically set according to [2].
If ModelType = UserDefined, the designer determines channel characteristics by setting these parameters.
If ModelType = NoMultipath, only Doppler frequency shift is incorporated.
5. The delay spread is modeled via a tapped delay line where the number of taps is based on the size of DelayArray and PowerArray. In each case the input signal is delayed and the carrier phase due to the delay signal is incorporated.

The following image illustrates this modeling process when connected to a simple antenna.



Delay and Doppler Spread and Carrier Phase Shift

6. If DelayArray values are not the time as Tstep, the interpolation is made to gain this point of signal and a delay of 64 tokens is introduced.
7. For each tap, Jakes model or noise filter model provides Doppler spectrum as well as the fading channel specifications.
 - Jakes model uses N_0 low-frequency oscillators to generate a fading waveform.

$$T(t) = \sum_{n=1}^{N_0} [\cos(\beta_n) + i \sin(\beta_n)] \cos(\omega_n t + \theta_n)$$

where

$$\omega_n = \omega_m \cos(2\pi n/N)$$

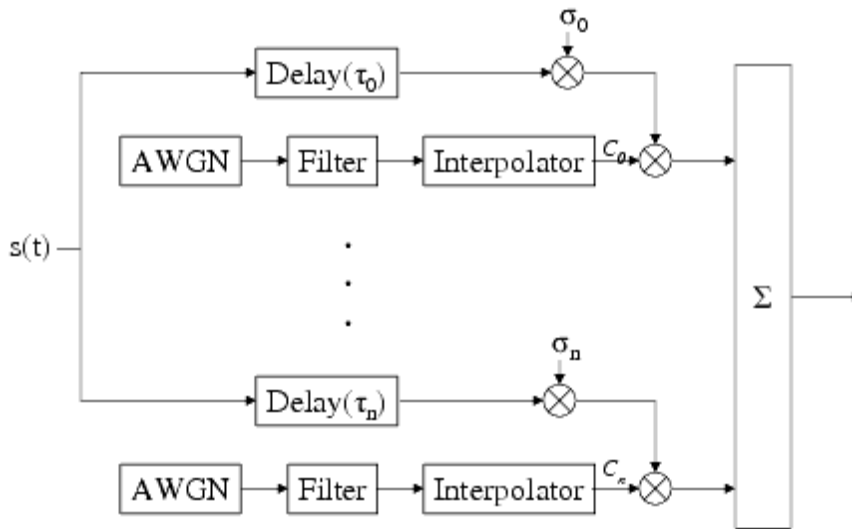
$$N = 2 \times (2 \times N_0 + 1)$$

The maximum Doppler frequency offset $\omega_m = 2\pi V/l$, l denotes wave-length of carrier. β_n is set as $\beta_n = 2\pi/N_0$. Original phase shifts θ_n are randomized and uniformly distributed over $[0, 2\pi]$. $N_0 = 80$ is used in the component.

Details about Jakes model can be found in [Reference 1](#).

- Noise filter model feeds white Gaussian noise to a digital filter matched to the respective fading spectrum, i.e., the filter frequency response must be a good approximation to the square root of the (normalized) tap power spectral density. An interpolator with rate conversion factor follows. Changing tap Doppler spreads is done by simply changing the interpolation factor.

This implementation is illustrated in the following image. The AWGN, filter, and interpolator outputs are complex. The filter and AWGN operate at the signal sampling rate. An 8th-order IIR filter is used for classic and flat spectrums whose normalized fading frequencies are 0.05686. A simple linear interpolator often suffices for changing Doppler spreads.



Noise Filter Model Implementation

8. If speed is zero, the channel is not a time-variant. However, multipath still exists so a static channel is applied and each tap is a complex constant value. The complex constant value is randomly generated and can be changed by changing the Seed parameter.
9. Five model types have been designed based on [Reference 2](#):
 - Model A corresponds to a typical office environment.
 - Model B corresponds to a typical large open-space environment with NLOS conditions or an office environment with a large delay spread.
 - Models C and E correspond to typical large open-space indoor and outdoor environments, respectively, with a large delay spread.
 - Model D corresponds to LOS conditions in a large open-space indoor or outdoor environment.
 Characteristics of these models are listed in the following tables.

Model A: Typical Office Environment with NLOS Conditions and 50ns Average rms Delay Spread

Tap Number	Delay (ns)	Average Relative Power	Ricean K	Doppler Spectrum
1	0	0.0	0	Class
2	10	-0.9	0	Class
3	20	-1.7	0	Class
4	30	-2.6	0	Class
5	40	-3.5	0	Class
6	50	-4.3	0	Class
7	60	-5.2	0	Class
8	70	-6.1	0	Class
9	80	-6.9	0	Class

Advanced Design System 2008

10	90	-7.8	0	Class
11	110	-4.7	0	Class
12	140	-7.3	0	Class
13	170	-9.9	0	Class
14	200	-12.5	0	Class
15	240	-13.7	0	Class
16	290	-18.0	0	Class
17	340	-22.4	0	Class
18	390	-26.7	0	Class

Model B: Typical Large Open-Space and Office Environments with NLOS Conditions and 100ns Average rms Delay Spread

Tap Number	Delay (ns)	Average Relative Power	Ricean K	Doppler Spectrum
1	0	-2.6	0	Class
2	10	-3.0	0	Class
3	20	-3.5	0	Class
4	30	-3.9	0	Class
5	50	0.0	0	Class
6	80	-1.3	0	Class
7	110	-2.6	0	Class
8	140	-3.9	0	Class
9	180	-3.4	0	Class
10	230	-5.6	0	Class
11	280	-7.7	0	Class
12	330	-9.9	0	Class
13	380	-12.1	0	Class
14	430	-14.3	0	Class
15	490	-15.4	0	Class
16	560	-18.4	0	Class
17	640	-20.7	0	Class
18	730	-24.6	0	Class

Model C: Typical Large Open Space Environment with NLOS Conditions and 150ns Average rms Delay Spread

Advanced Design System 2008

Tap Number	Delay (ns)	Average Relative Power	Ricean K	Doppler Spectrum
1	0	-3.3	0	Class
2	10	-3.6	0	Class
3	20	-3.9	0	Class
4	30	-4.2	0	Class
5	50	0.0	0	Class
6	80	-0.9	0	Class
7	110	-1.7	0	Class
8	140	-2.6	0	Class
9	180	-1.5	0	Class
10	230	-3.0	0	Class
11	280	-4.4	0	Class
12	330	-5.9	0	Class
13	400	-5.3	0	Class
14	490	-7.9	0	Class
15	600	-9.4	0	Class
16	730	-13.2	0	Class
17	880	-16.3	0	Class
18	1050	-21.2	0	Class

Model D: Typical Large Open Space Environment with LOS Conditions and 150ns Average rms Delay Spread; a 10 dB spike at zero delay has been added resulting in an rms delay spread of approximately 140 ns

Tap Number	Delay (ns)	Average Relative Power	Ricean K	Doppler Spectrum
1	0	0.0	10	Class+spike
2	10	-10.0	0	Class
3	20	-10.3	0	Class
4	30	-10.6	0	Class
5	50	-6.4	0	Class
6	80	-7.2	0	Class
7	110	-8.1	0	Class
8	140	-9.0	0	Class

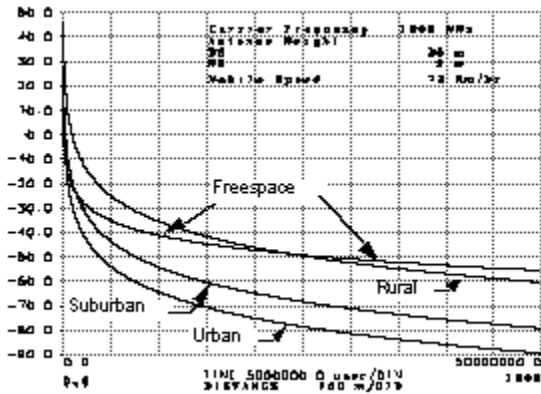
Advanced Design System 2008

9	180	-7.9	0	Class
10	230	-9.4	0	Class
11	280	-10.8	0	Class
12	330	-12.3	0	Class
13	400	-11.7	0	Class
14	490	-14.3	0	Class
15	600	-15.8	0	Class
16	730	-19.6	0	Class
17	880	-22.7	0	Class
18	1050	-27.6	0	Class

Model E: Typical Large Open Space Environment with NLOS Conditions and 250ns Average rms Delay Spread

Tap Number	Delay (ns)	Average Relative Power	Ricean K	Doppler Spectrum
1	0	-4.9	0	Class
2	10	-5.1	0	Class
3	20	-5.2	0	Class
4	40	-0.8	0	Class
5	70	-1.3	0	Class
6	100	-1.9	0	Class
7	140	-0.3	0	Class
8	190	-1.2	0	Class
9	240	-2.1	0	Class
10	320	0.0	0	Class
11	430	-1.9	0	Class
12	560	-2.8	0	Class
13	710	-5.4	0	Class
14	880	-7.3	0	Class
15	1070	-10.6	0	Class
16	1280	-13.4	0	Class
17	1510	-17.4	0	Class
18	1760	-20.9	0	Class

10. Pathloss profiles (no multipath) for different environments and different sets of transmit and receive antenna heights are shown in the following image.



Pathloss Profiles for Different Environments

References

1. W. C. Jakes, Microwave Mobile Communications, IEEE Press, 1994.
2. Channel Models for HIPERLAN/2 in Different Indoor Scenarios, ETSI EP BRAN 3ER1085B 30 March 1998.