



Agilent Technologies

ADS 2008

January 2008

Vendor Component Libraries - S-Parameter Transistor Library

Advanced Design System 2008

© Agilent Technologies, Inc. 2000-2008

395 Page Mill Road, Palo Alto, CA 94304 U.S.A.

No part of this manual may be reproduced in any form or by any means (including electronic storage and retrieval or translation into a foreign language) without prior agreement and written consent from Agilent Technologies, Inc. as governed by United States and international copyright laws.

Acknowledgments

Mentor Graphics is a trademark of Mentor Graphics Corporation in the U.S. and other countries. Microsoft®, Windows®, MS Windows®, Windows NT®, and MS-DOS® are U.S. registered trademarks of Microsoft Corporation. Pentium® is a U.S. registered trademark of Intel Corporation. PostScript® and Acrobat® are trademarks of Adobe Systems Incorporated. UNIX® is a registered trademark of the Open Group. Java™ is a U.S. trademark of Sun Microsystems, Inc. SystemC® is a registered trademark of Open SystemC Initiative, Inc. in the United States and other countries and is used with permission. MATLAB® is a U.S. registered trademark of The Math Works, Inc.. HiSIM2 source code, and all copyrights, trade secrets or other intellectual property rights in and to the source code in its entirety, is owned by Hiroshima University and STARC.

Errata The ADS product may contain references to "HP" or "HPEESOF" such as in file names and directory names. The business entity formerly known as "HP EEsof" is now part of Agilent Technologies and is known as "Agilent EEsof". To avoid broken functionality and to maintain backward compatibility for our customers, we did not change all the names and labels that contain "HP" or "HPEESOF" references.

Warranty The material contained in this document is provided "as is", and is subject to being changed, without notice, in future editions. Further, to the maximum extent permitted by applicable law, Agilent disclaims all warranties, either express or implied, with regard to this manual and any information contained herein, including but not limited to the implied warranties of merchantability and fitness for a particular purpose. Agilent shall not be liable for errors or for incidental or consequential damages in connection with the furnishing, use, or performance of this document or of any information contained herein. Should Agilent and the user have a separate written agreement with warranty terms covering the material in this document that conflict with these terms, the warranty terms in the separate agreement shall control.

Technology Licenses The hardware and/or software described in this document are furnished under a license and may be used or copied only in accordance with the terms of such license. Portions of this product include the SystemC software licensed under Open Source terms, which are available for download at <http://systemc.org/>. This software is redistributed by Agilent. The Contributors of the SystemC software provide this software "as is" and offer no warranty of any kind, express or implied, including without limitation warranties or conditions or title and non-infringement, and implied warranties or conditions merchantability and fitness for a particular purpose. Contributors shall not be liable for any damages of any kind including without limitation direct, indirect, special, incidental and consequential damages, such as lost profits. Any provisions that differ from this disclaimer are offered by Agilent only.

Restricted Rights Legend If software is for use in the performance of a U.S. Government prime contract or subcontract, Software is delivered and licensed as "Commercial computer software" as defined in DFAR 252.227-7014 (June 1995), or as a "commercial item" as defined in FAR 2.101(a) or as "Restricted computer software" as defined in FAR 52.227-19 (June 1987) or any equivalent agency regulation or contract clause. Use, duplication or disclosure of Software is subject to Agilent Technologies' standard commercial license terms, and non-DOD Departments and Agencies of the U.S. Government will receive no greater than Restricted Rights as defined in FAR 52.227-19(c)(1-2) (June 1987). U.S. Government users will receive no greater than Limited Rights as defined in FAR 52.227-14 (June 1987) or DFAR 252.227-7015 (b)(2) (November 1995), as applicable in any technical data.

Contents

- S-Parameter Transistor Library
- ◦ Schematic Design
 - - 1-Port Models
 - - 1-Port S-Parameter Data Component Example
 - - 2-Port Models
 - - 2-Port S-Parameter Data Component Example
- Frequency Ranges
- Agilent Technologies S-Parameters
- Alpha Industries S-Parameters
- Fujitsu S-Parameters
- Harris S-Parameters
- Litton S-Parameters
- Microwave Technology S-Parameters
- Mitsubishi S-Parameters
- Motorola S-Parameters
- NEC S-Parameters
- Philips S-Parameters
- Raytheon S-Parameters
- Siemens S-Parameters
- Sony S-Parameters
- Toshiba S-Parameters

S-Parameter Transistor Library

The S-Parameter Transistor Library is included with all Advanced Design System simulators. The library consists of S-Parameter data files representing 4,618 devices from 14 manufacturers. Many of these files represent the same device, measured under differing DC operating biases. All contain 50 ohm S-parameters. Some contain noise parameters. The models were extracted from data provided by these manufacturers.



Note

The library itself is a set of binary files, S-Parameter_Library.library , under \$HPEESOF_DIR/ComponentLibs/models .

The S-parameter transistor library groups available for selection from the Schematic windows are:

- [Agilent Technologies S-Parameters](#)
- [Alpha Industries S-Parameters](#)
- [Fujitsu S-Parameters](#)
- [Harris S-Parameters](#)
- [Litton S-Parameters](#)
- [Microwave Technology S-Parameters](#)

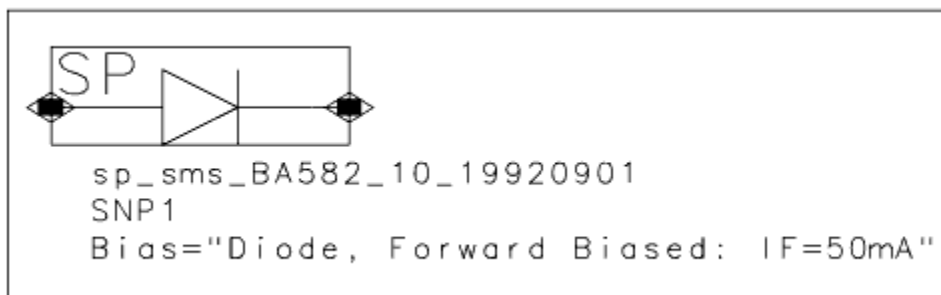
- [Mitsubishi S-Parameters](#)
- [Motorola S-Parameters](#)
- [NEC S-Parameters](#)
- [Philips S-Parameters](#)
- [Raytheon S-Parameters](#)
- [Siemens S-Parameters](#)
- [Sony S-Parameters](#)
- [Toshiba S-Parameters](#)

Schematic Design

This section describes the schematic design of the S-Parameter Transistor Library components and specifies the simulation models that are incorporated in the design.

1-Port Models

[1-Port S-Parameter Data Component Example](#) shows how a 1-port S-parameter data component appears when placed in the Schematic design window. The schematic symbol is derived from standard artwork in the `$HPEESOF_DIR/ComponentLibs/symbols` directory. The 1-port S-parameters are represented by the appropriate schematic symbol, such as the DIODE shown in the example. The annotation consists of the component name and the default component ID prefix (in this case, SNP), and the bias condition. No component parameters are associated with the schematic component.

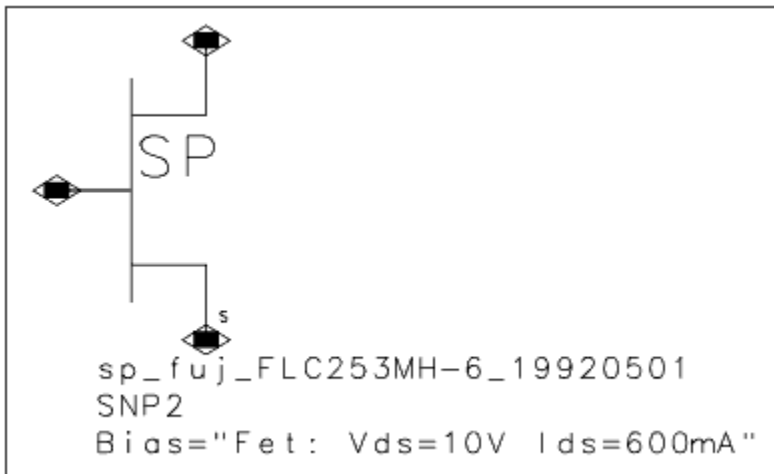


1-Port S-Parameter Data Component Example

The S-parameter data 1-port library components are suitable for placement in any Advanced Design System schematic.

2-Port Models

[2-Port S-Parameter Data Component Example](#) shows how a 2-port S-parameter data component appears when placed in the Schematic design window. The schematic symbol is derived from standard artwork in the `$HPEESOF_DIR/ComponentLibs/symbols` directory. The 2-port S-parameters are represented by the NPN, PNP, FET, MOSFET and other standard symbols, as appropriate to the particular device associated with the data file. The annotation consists of the component name and the default component ID prefix (in this case, SNP), and the bias condition. No component parameters are associated with the schematic component.

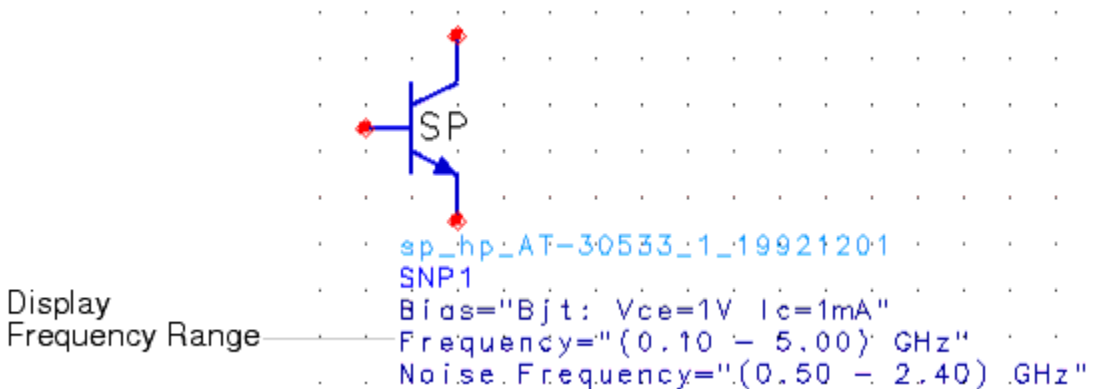
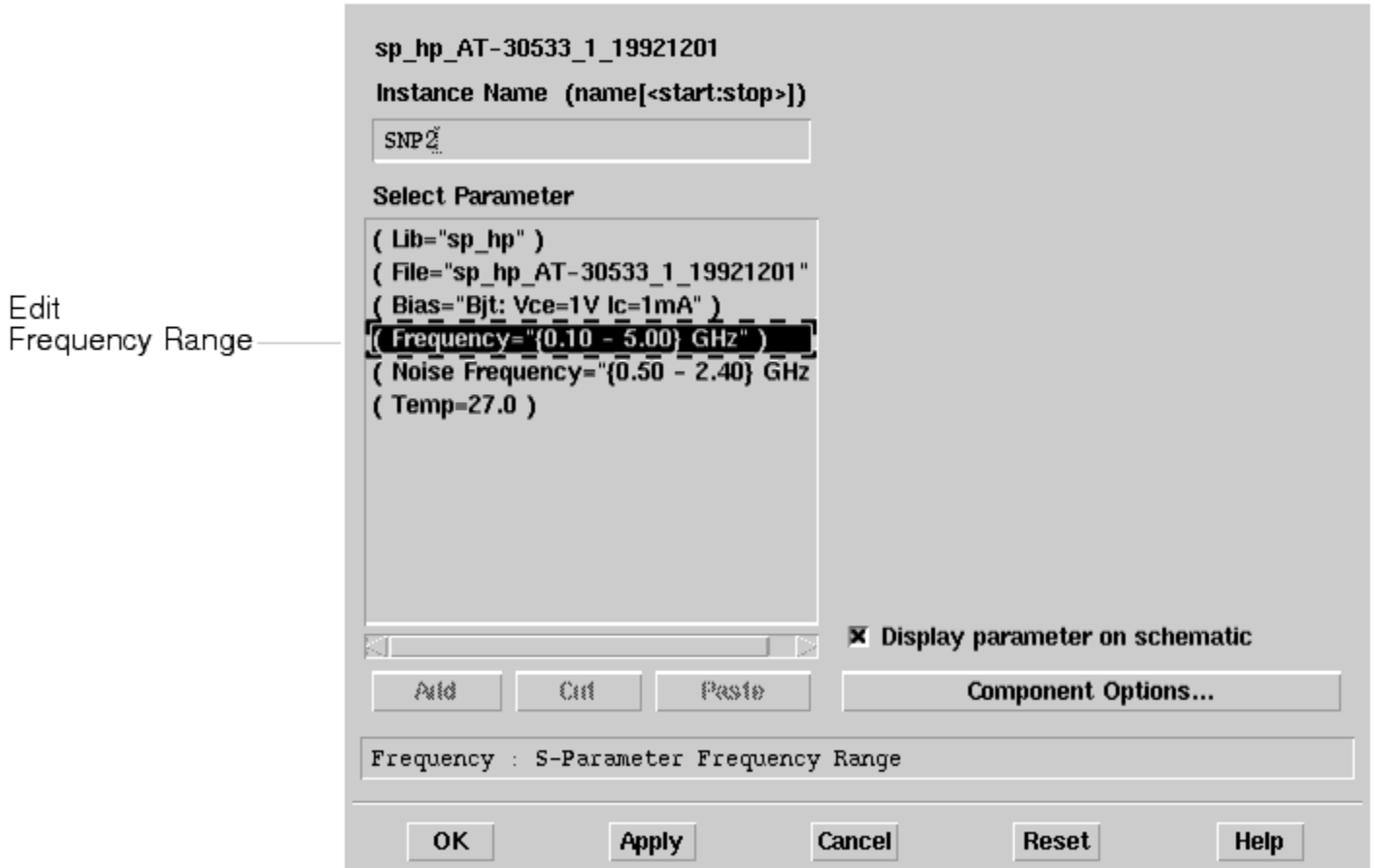


2-Port S-Parameter Data Component Example

The S-parameter data 2-port library components are suitable for placement in any Advanced Design System schematic.

Frequency Ranges

You can now view frequency ranges as a component parameter. The images below display this capability in a component and in the Edit Component Parameters.



Agilent Technologies S-Parameters

For modeling specifications, see [Schematic Design](#).

Advanced Design System 2008

The 740 components installed in the library group originate from the Agilent Technologies S-parameter Performance and Transistor Library V4.11 data disk. The data files associated with the components contain linear 2-port or 1-port S-parameter data and, when provided by the vendor, 2-port noise parameters. The naming convention for the components is sp_hpa<part number><index><extraction date>_ .

A numeric index is used in conjunction with the part number for the component name when multiple operating bias conditions for the part have been supplied by the vendor. The indices correspond to the operating bias condition documented in the descriptive text of the dialog box when this library group is selected from the library list.

Alpha Industries S-Parameters

For modeling specifications, see [Schematic Design](#).

The 208 components installed in the library group are supplied to EEsof by the vendor. The data files associated with the components contain linear 2-port or 1-port S-parameter data and, when provided by the vendor, 2-port noise parameters. The naming convention for the components is sp_aii<part_number><index><extraction date>_ .

A numeric index is used in conjunction with the part number for the component name when multiple operating bias conditions for the part have been supplied by the vendor. The indices correspond to the operating bias condition documented in the descriptive text of the dialog box when this library group is selected from the library list.

Fujitsu S-Parameters

For modeling specifications, see [Schematic Design](#).

The 66 components installed in the library group originate from the Fujitsu Microwave Semiconductor Device Library data disk dated May 1992. The data files associated with the components contain linear 2-port S-parameter data and, when provided by the vendor, 2-port noise parameters. The naming convention for the components is sp_fuj<part_number><index><extraction date>_ .

A numeric index is used in conjunction with the part number for the component name when multiple operating bias conditions for the part have been supplied by the vendor. The indices correspond to the operating bias condition documented in the descriptive text of the dialog box when this library group is selected from the library list.

Harris S-Parameters

For modeling specifications, see [Schematic Design](#).

The 12 components installed in the library group are supplied by the vendor. The data files associated with the components contain linear 2-port S-parameter data and, when provided by the vendor, 2-port noise parameters. The naming convention for the components is sp_hm<part number><index><extraction date>._

A numeric index is used in conjunction with the part number for the component name when multiple operating bias conditions for the part have been supplied by the vendor. The indices correspond to the operating bias condition documented in the descriptive text of the dialog box when this library group is selected from the library list.

Litton S-Parameters

For modeling specifications, see [Schematic Design](#).

The 12 components installed in the library group are supplied by the vendor. The data files associated with the components contain linear 2-port S-parameter data and, when provided by the vendor, 2-port noise parameters. The naming convention for the components is sp_lit<part number><index><extraction date>_ .

A numeric index is used in conjunction with the part number for the component name when multiple operating bias conditions for the part have been supplied by the vendor. The indices correspond to the operating bias condition documented in the descriptive text of the dialog box when this library group is selected from the library list.

Microwave Technology S-Parameters

For modeling specifications, see [Schematic Design](#).

The 27 components installed in the library group originate from the Microwave Technology GaAs Fet S-parameter and Hybrid Gain Module Library V1.6 data disk. The data files associated with the components contain linear 2-port S-parameter data and, when provided by the vendor, 2-port noise parameters. The naming convention for the components is sp_mwt<part number><index><extraction date>_ .

A numeric index is used in conjunction with the part number for the component name when multiple operating bias conditions for the part have been supplied by the vendor. The indices correspond to the operating bias condition documented in the descriptive text of the dialog box when this library group is selected from the library list.

Mitsubishi S-Parameters

For modeling specifications, see [Schematic Design](#).

The 22 components installed in the library group are supplied by the vendor. The data files associated with the components contain linear 2-port S-parameter data and, when provided by the vendor, 2-port noise parameters. The naming convention for the components is `sp_mit<part number><index><extraction date>_` .

A numeric index is used in conjunction with the part number for the component name when multiple operating bias conditions for the part have been supplied by the vendor. The indices correspond to the operating bias condition documented in the descriptive text of the dialog box when this library group is selected from the library list.

Motorola S-Parameters

For modeling specifications, see [Schematic Design](#).

The 626 components files installed in the library group originate from the Motorola Scattering Parameter Library Version 2.0 DK105/D Rev1 data disk. The data files associated with the components contain linear 2-port S-parameter data and, when provided by the vendor, 2-port noise parameters. The naming convention for the components is `sp_mot<part number><index><extraction date>_` .

A numeric index is used in conjunction with the part number for the component name when multiple operating bias conditions for the part have been supplied by the vendor. The indices correspond to the operating bias condition documented in the descriptive text of the dialog box when this library group is selected from the library list.

NEC S-Parameters

For modeling specifications, see [Schematic Design](#).

The 651 components installed in the library group originate from the CEL Design Parameter Library of NEC Microwave Semiconductor Devices V7.0 data disk. The data files associated with the components contain linear 2-port S-parameter data and, when provided by the vendor, 2-port noise parameters. The naming convention for the components is `sp_nec<part number><index><extraction date>_` .

A numeric index is used in conjunction with the part number for the component name when multiple operating bias conditions for the part have been supplied by the vendor. The indices correspond to the operating bias condition documented in the descriptive text of the dialog box when this library group is selected from the library list.

Philips S-Parameters

For modeling specifications, see [Schematic Design](#).

The 569 components installed in the library group originate from the Philips Noise and S-parameter Library (V1.0) data disk. The data files associated with the components contain linear 2-port S-parameter data and, when provided by the vendor, 2-port noise parameters. The naming convention for the components is sp_phl<part number><index><extraction date>._

A numeric index is used in conjunction with the part number for the component name when multiple operating bias conditions for the part have been supplied by the vendor. The indices correspond to the operating bias condition documented in the descriptive text of the dialog box when this library group is selected from the library list.

Raytheon S-Parameters

For modeling specifications, see [Schematic Design](#).

The 18 components installed in the library group are supplied by the vendor. The data files associated with the components contain linear 2-port S-parameter data and, when provided by the vendor, 2-port noise parameters. The naming convention for the components is sp_ray<part number><index><extraction date>_ .

A numeric index is used in conjunction with the part number for the component name when multiple operating bias conditions for the part have been supplied by the vendor. The indices correspond to the operating bias condition documented in the descriptive text of the dialog box when this library group is selected from the library list.

Siemens S-Parameters

For modeling specifications, see [Schematic Design](#).

The 1645 components installed in the library group originate from the Siemens RF Device transistor library V2.0 data disk. The data files associated with the components contain linear 2-port or 1-port S-parameter data and, when provided by the vendor, 2-port noise parameters. The naming convention for the components is sp_sms<part number><index><extraction date>._

A numeric index is used in conjunction with the part number for the component name when multiple operating bias conditions for the part have been supplied by the vendor. The indices correspond to the operating bias condition documented in the descriptive text of the dialog box when this library group is selected from the library list.

Sony S-Parameters

For modeling specifications, see [Schematic Design](#).

The 5 components installed in the library group are supplied by the vendor. The data files associated with the components contain linear 2-port S-parameter data and, when provided by the vendor, 2-port noise parameters. The naming convention for the components is sp_sny<part number><index><extraction date>_ .

A numeric index is used in conjunction with the part number for the component name when multiple operating bias conditions for the part have been supplied by the vendor. The indices correspond to the operating bias condition documented in the descriptive text of the dialog box when this library group is selected from the library list.

Toshiba S-Parameters

For modeling specifications, see [Schematic Design](#).

The 17 components installed in the library group are supplied by the vendor. The data files associated with the components contain linear 2-port S-parameter data and, when provided by the vendor, 2-port noise parameters. The naming convention for the components is sp_tsb<part number><index><extraction date>_ .

A numeric index is used in conjunction with the part number for the component name when multiple operating bias conditions for the part have been supplied by the vendor. The indices correspond to the operating bias condition documented in the descriptive text of the dialog box when this library group is selected from the library list.